

A

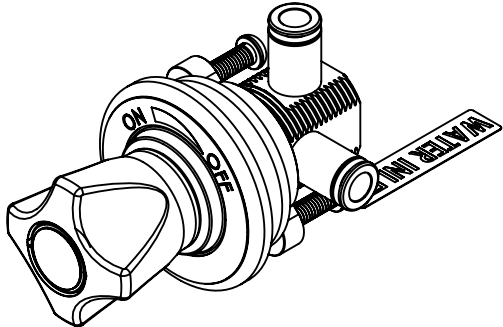
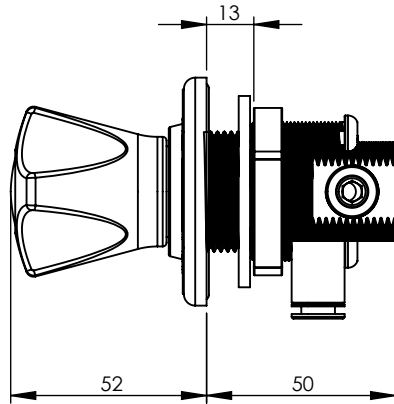
B

C

D

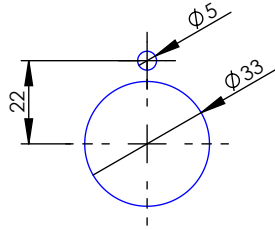
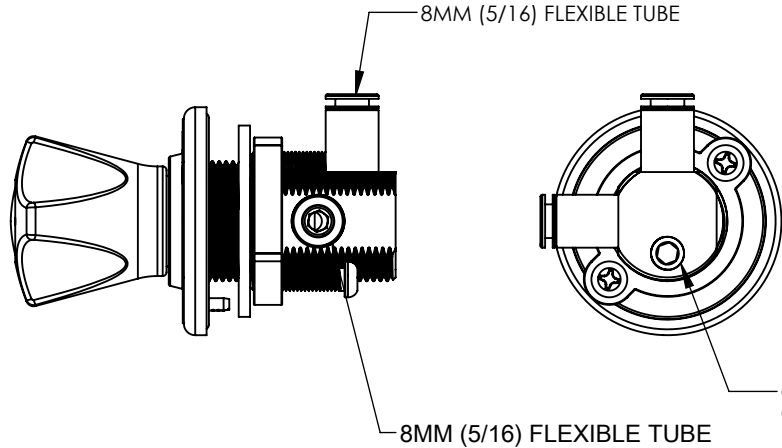
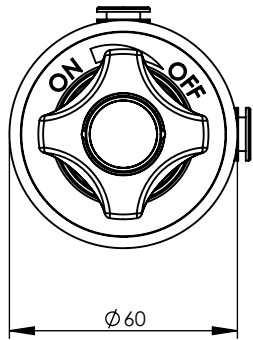
1

1



2

2



INSTALLATION DETAIL

PLEASE CHECK LOCKING PIN POSITION BEFORE INSTALLATION AS ORIENTATION MAY VARY

CLIENT TO SPECIFY MEDIA TYPE

NOTE:

CLIENT TO SEAL TO UNIT AND LOCK FLANGE TO THREAD AS REQUIRED.

4

4

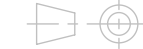
REVISION				
REV.	DATE	ECN	DESCRIPTION	MODIFIED BY
A	04/10/11		FIRST ISSUE	
B	08/12/11		WAS LCN153Q, CODES ALTERED	
C	21/01/15	4701	ADDED NOTE, DELETED 372295	TD

**GENERAL NOTES:**  
 - REMOVE ALL BURRS AND SHARP EDGES UNLESS OTHERWISE STATED  
 - ALL THREADS TO BE CHAMFERED  
 - DIMENSIONS ARE IN mm's  
 - DO NOT SCALE OFF DIMENSIONS

**TOLERANCE EXCEPT WHERE STATED:**  
 NO DECIMAL POINT  $\nabla$  2  
 ONE DECIMAL PLACE  $\nabla$  1  
 ANGLES  $\nabla$  1°

ENWARE RESERVES THE RIGHT TO AMMEND PRODUCT SPECIFICATIONS AND DESIGNS WITHOUT NOTICE

DRAWN	AC
CHECKED	YK
APPROVED	LR



This drawing is the property of Enware Australia Pty Ltd and may not be reproduced in full or part without the written consent of Enware Australia.



9 Endeavour Rd,  
 Caringbah, NSW, 2229  
 Ph. 61-2-9525-9511  
 Fax. 61-2-9524-8421



TITLE  
**F.P.V.S. QUICK CONNECT LCN**

DRAWING NUMBER: **LCN152Q**

FINISH:	SIZE: A4	SCALE: 1:2	SHEET: 1 OF 3
---------	----------	------------	---------------

A

B

C

D

A

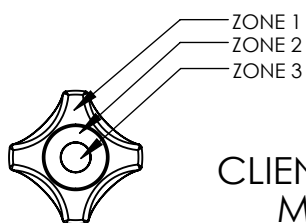
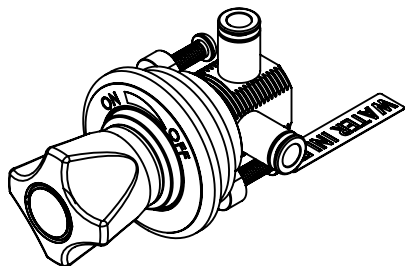
B

C

D

## COLOUR CHART

MEDIA							ZONE 1	ZONE 2	ZONE 3
<b>WATER</b>									
	1/4" BSP MALE	1/8" BSP FEMALE	QUICK CONNECT INLET	1/4" BSP MALE	1/8" BSP FEMALE	QUICK CONNECT INLET			
	CERAMIC VALVE	CERAMIC VALVE	CERAMIC VALVE	NEEDLE VALVE	NEEDLE VALVE	NEEDLE VALVE			
COLD WATER	LCN152MCWH2O	LCN152FCWH2O	LCN152QCWH2O	LCN152NMCWH2O	LCN152NFCWH2O	LCN152NQCWH2O	GREEN	GREEN	BLUE
HOT WATER	LCN152MHWH2O	LCN152FHWH2O	LCN152QHWH2O	LCN152NMHWH2O	LCN152NFHWH2O	LCN152NQHWH2O	GREEN	GREEN	RED
CHILLED WATER	LCN152MCHWH2O	LCN152FCHWH2O	LCN152QCHWH2O	LCN152NMCHWH2O	LCN152NFCHWH2O	LCN152NQCHWH2O	GREEN	BLUE	BLUE
<b>GAS</b>									
				NEEDLE VALVE	NEEDLE VALVE	NEEDLE VALVE			
ARGON	-	-	-	LCN152NMAR	LCN152NFAR	LCN152NQAR	BLUE	GREY	GREY
CARBOGEN	-	-	-	LCN152NMCB	LCN152NFCB	LCN152NQCB	BLUE	BLACK	BLUE
CARBON DIOXIDE	-	-	-	LCN152NMCO2	LCN152NFCO2	LCN152NQCO2	BLUE	BLUE	BLACK
COMPRESS AIR	-	-	-	LCN152NMAIR	LCN152NFAIR	LCN152NQAIR	BLUE	BLUE	YELLOW
HELIUM	-	-	-	LCN152NMH5	LCN152NFH5	LCN152NQH5	BLUE	GREY	WHITE
HYDROGEN	-	-	-	LCN152NMH2	LCN152NFH2	LCN152NQH2	RED	RED	RED
NITROGEN	-	-	-	LCN152NMN2	LCN152NFN2	LCN152NQN2	BLUE	GREEN	GREEN
NITROUS OXIDE	-	-	-	LCN152NMN2O	LCN152NFN2O	LCN152NQN2O	BLUE	GREEN	BLUE
OXYGEN	-	-	-	LCN152NMO2	LCN152NFO2	LCN152NQO2	BLUE	BLUE	BLUE
VACUUM	-	-	-	LCN152NMVAC	LCN152NFVAC	LCN152NQVAC	GREY	GREY	GREY
<b>BURNING GASES</b>									
	PUSH TO TURN CERAMIC	PUSH TO TURN CERAMIC		NEEDLE VALVE	NEEDLE VALVE				
ACETYLENE	LCN152BMC2H2	LCN152BFC2H2	-	LCN152NMC2H2	LCN152NFC2H2		YELLOW	WHITE	GREEN
BUTANE	LCN1452BMC4H10	LCN1452BFC4H10	-	LCN152NMC4H10	LCN152NFC4H10		YELLOW	BLUE	BLUE
ETHENE	LCN152BMC2H4	LCN152BFC2H4	-	LCN152NMC2H4	LCN152NFC2H4		YELLOW	BLACK	GREEN
METHANE	LCN152BMCH4	LCN152BFCH4	-	LCN152NMCH4	LCN152NFCH4		YELLOW	BLUE	YELLOW
NATURAL GAS	LCN152BMGAS	LCN152BFGAS	-	LCN152NMGAS	LCN152NFGAS		YELLOW	YELLOW	YELLOW
PROPANE	LCN152BMC3H8	LCN152BFC3H8	-	LCN152NMC3H8	LCN152NFC3H8		YELLOW	BLUE	RED
LPG	LCN152BMLPG	LCN152BFLPG	-	LCNNMLPG	LCN152NFLPG		YELLOW	RED	YELLOW



CLIENT TO SPECIFY  
MEDIA TYPE

## GENERAL NOTES:

- REMOVE ALL BURRS AND SHARP EDGES UNLESS OTHERWISE STATED
- ALL THREADS TO BE CHAMFERED
- DIMENSIONS ARE IN mm's
- DO NOT SCALE OFF DIMENSIONS

## TOLERANCE EXCEPT WHERE STATED:

- NO DECIMAL POINT  $\nabla$  2
- ONE DECIMAL PLACE  $\nabla$  1
- ANGLES  $\nabla$  1°

ENWARE RESERVES THE RIGHT TO AMEND PRODUCT SPECIFICATIONS AND DESIGNS WITHOUT NOTICE

DRAWN	AC
CHECKED	YK
APPROVED	LR



This drawing is the property of Enware Australia Pty Ltd and may not be reproduced in full or part without the written consent of Enware Australia.



9 Endeavour Rd,  
Caringbah, NSW, 2229  
Ph. 61-2-9525-9511  
Fax. 61-2-9524-8421



TITLE  
**TOP ASSY VITON NEEDLE SLIM**

DRAWING NUMBER: **LCN152Q**

FINISH:

SIZE: A4

SCALE: 1:2.5

SHEET: 2 OF 3

## REVISION

REV.	DATE	ECN	DESCRIPTION	MODIFIED BY
A	04/10/11		FIRST ISSUE	
B	08/12/11		WAS LCN153Q, CODES ALTERED	
C	21/01/15	4701	ADDED NOTE, DELETED 372295	TD

A

B

C

D