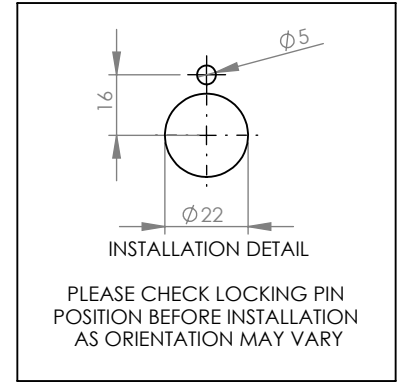
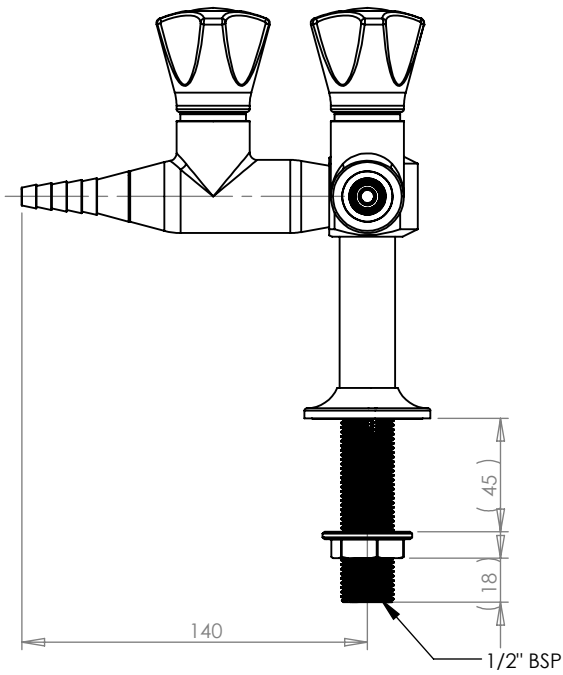
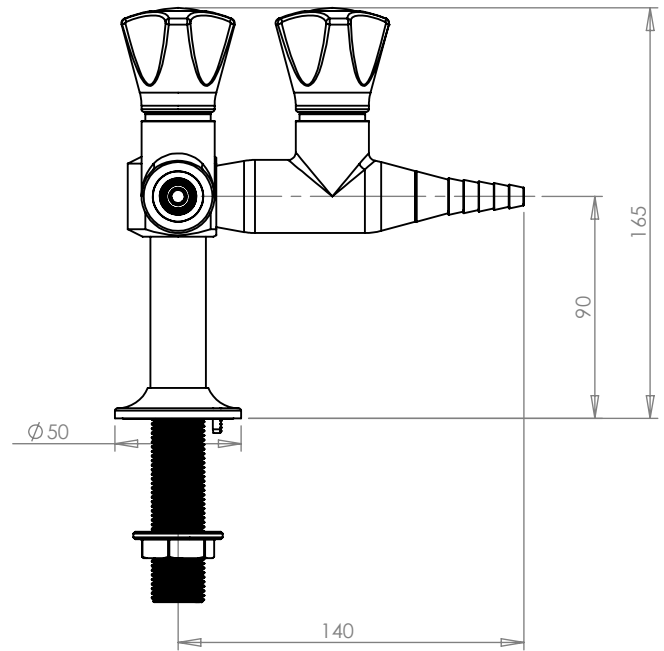
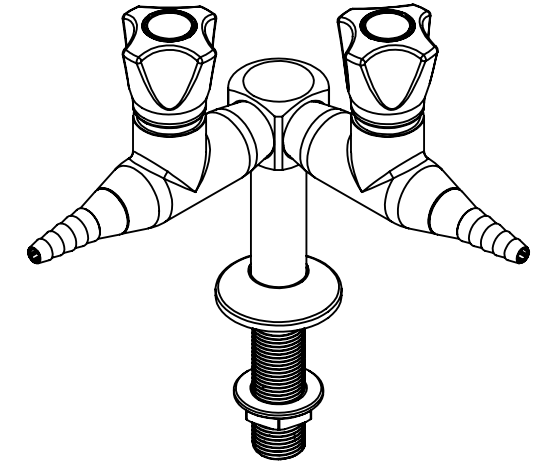


CLIENT TO SPECIFY MEDIA TYPE

NOTE:
SEALANT/SEALING METHOD MUST BE CHOSEN TO MATCH SPECIFIED MEDIA.



REV	DATE	CN	AMMENDMENTS	MODIFIED BY
A	6/9/11		FIRST ISSUE	
B	7/12/11		1/2" BSP WAS 1/2" BSP WITH 3/8" BSPF	

GENERAL NOTES:
REMOVE ALL BURRS AND SHARP EDGES UNLESS OTHERWISE STATED
DIMENSIONS ARE IN mm's

TOLERANCE EXCEPT WHERE STATED:

NO DECIMAL POINT ∕ 0.2
ONE DECIMAL PLACE ∕ 0.1
TWO DECIMAL PLACES ∕ 0.05
ANGLES ∕ 1

DRAWN	AC	9 Endeavour Rd, Caringbah, NSW, 2229 Ph. 61-2-9525-9511 Fax. 61-2-9524-8421		
CHECKED	AC			
APPROVED	ENW			
TITLE: 2WAY 90DEG BENCH LCN PTT			Scale: Not To Scale	
MATERIAL:			DWG NO. SHEET 1 OF 3	
FINISH:			<p>This drawing is the Copyright of Enware Australia Pty Ltd and may not be reproduced in full or part without the written consent of Enware Australia Pty Ltd</p> <p>LCN146B</p>	