

Slimline One Way Bench Mounted Laboratory Tap

LCN145N

Enware's Slimline laboratory outlets are supplied with a tapered tube nozzle and are assembled for each specific media type.

The durable powder coat finish gives significant protection against corrosion, discolouration and surface damage.

Slimline handles are ergonomically designed for precise feel and finger tip control. Handles are colour coded for easy service identification and use complimentary buttons.

FEATURES

- Suited for dry media up to technical gas level 2.0 (with isolation), 4.0 (without isolation) and higher upon request
- Teflon needle valve with stainless steel seat
- Durable powder coat finish
- Handle and indicator button identification to suit specified media
- 1/2" BSP male inlet tail with 3/8" BSP female
- Fixing kit (backnut and antirotation pin)
- Tube nozzle
- Optional integral isolation/service valve

Additional Options

- Finishes - Durable white powder coat (standard), bright chrome or alternate powder coat colouring available
- 45° tube nozzle option - specify when ordering

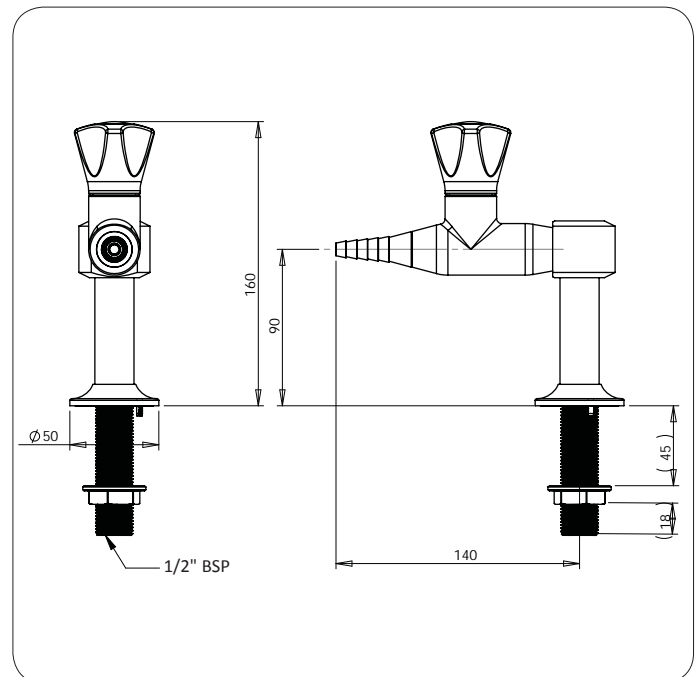


Product Code

LCN145N	Needle Valve - Dry Media Only
LCN145NI	Needle Valve with Isolation Valve - Dry Media Only

Technical Information

Connection	1/2" BSP Male/Female 3/8" BSP Female
Recommended Maximum Working Pressure - Needle Valve	700kPa (Dry Media)
Maximum Testing Pressure	1000kPa
Outlet Connection	Tube Nozzle 3/8" BSP Female (without nozzle) Other options available
Dry Media Options	Argon, Carbogen, Carbon Dioxide, Compressed Air, Helium, Hydrogen, Nitrogen, Nitrous Oxide, Oxygen, Vacuum. <i>NOTE: Client to specify media type</i>



Enware tapware must be installed in accordance with the provisions of, AS/NZS3500 and any relevant local regulations. Installations not complying with AS/NZS3500 may void the product and performance warranty provisions.

Version: MAR12

Call 1300 369 273

www.enware.com.au

Enware Australia Pty Limited
9 Endeavour Rd Caringbah NSW 2229 Australia
Ph: 1300 369 273 Fax: 02 8556 4055

 ENWARE
AUSTRALIA PTY LIMITED

