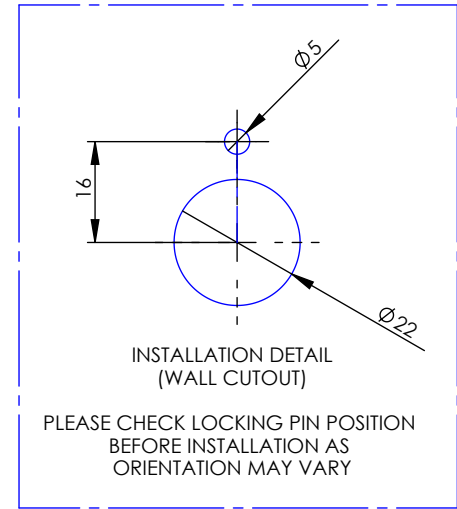
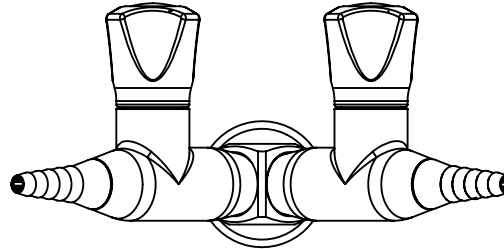
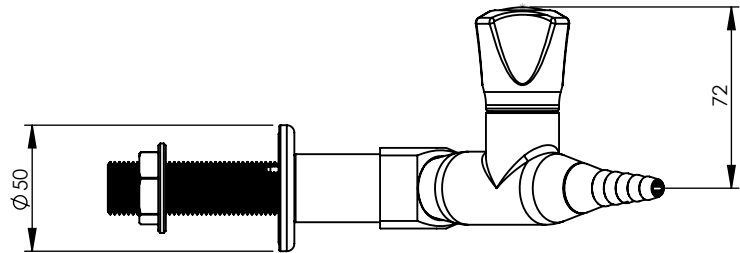
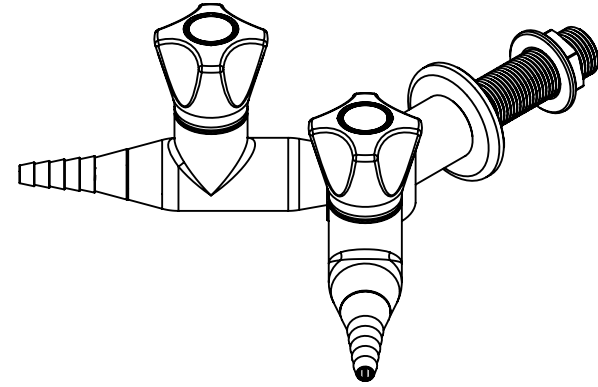
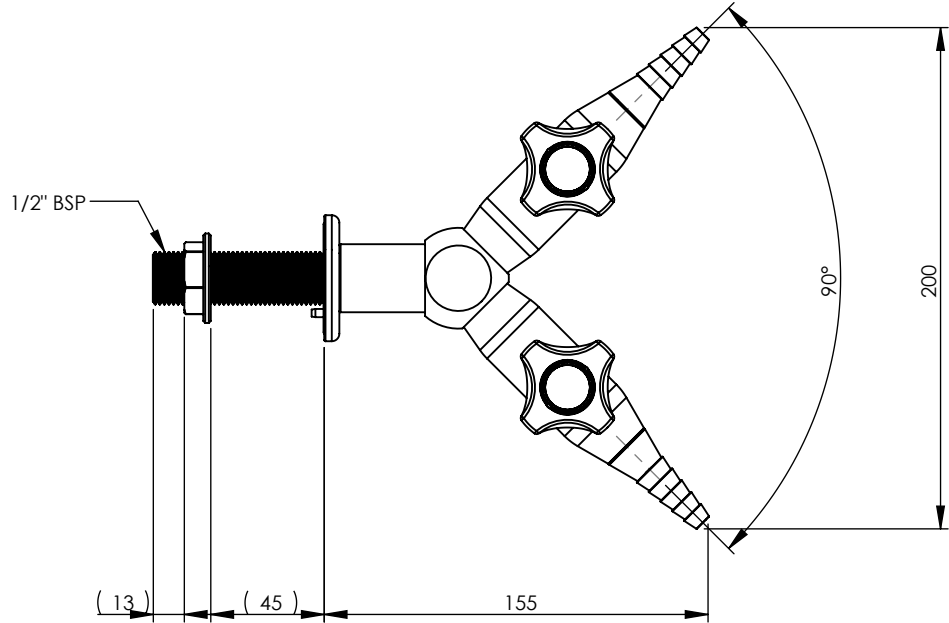


A

B

C

D



CLIENT TO SPECIFY MEDIA TYPE

NOTE:
 TAIL AND BASE TO BE SUPPLIED LOOSE.
 CLIENT TO SEAL TAIL AND LOCK BASE TO THREAD AS REQUIRED.
 SEALANT MUST BE CHOSEN TO MATCH SPECIFIED MEDIA.

REVISION

REV.	DATE	ECN	DESCRIPTION	MODIFIED BY
A	26/03/11		FIRST ISSUE	
B	03/05/12		885135 WAS 885315	
C	27/11/13	2309	671434 WAS 672418	YK
D	12/11/14	3893	887093 WAS 886635	TD

GENERAL NOTES:
 - REMOVE ALL BURRS AND SHARP EDGES UNLESS OTHERWISE STATED
 - ALL THREADS TO BE CHAMFERED
 - DIMENSIONS ARE IN mm's
 - DO NOT SCALE OFF DIMENSIONS

TOLERANCE EXCEPT WHERE STATED:
 NO DECIMAL POINT ± 0.2
 ONE DECIMAL PLACE ± 0.1
 ANGLES $\pm 1^\circ$

ENWARE RESERVES THE RIGHT TO AMMEND PRODUCT SPECIFICATIONS AND DESIGNS WITHOUT NOTICE

DRAWN AC
 CHECKED YK
 APPROVED CL

This drawing is the property of Enware Australia Pty Ltd and may not be reproduced in full or part without the written consent of Enware Australia.



9 Endeavour Rd,
 Caringbah, NSW, 2229
 Ph. 61-2-9525-9511
 Fax. 61-2-9524-8421



TITLE
W'MNT STRAIGHT 2 WAY VLV

DRAWING NUMBER: **LCN143W**

FINISH: POWDERCOATED WHITE

SIZE: A4

SCALE: 1:3

SHEET: 1 OF 3

A

B

C

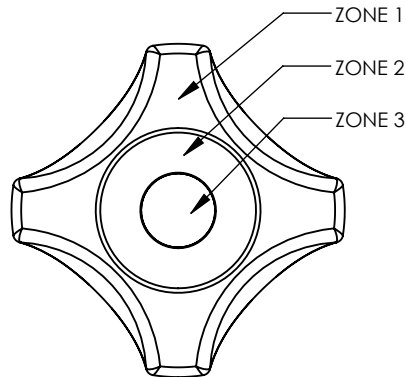
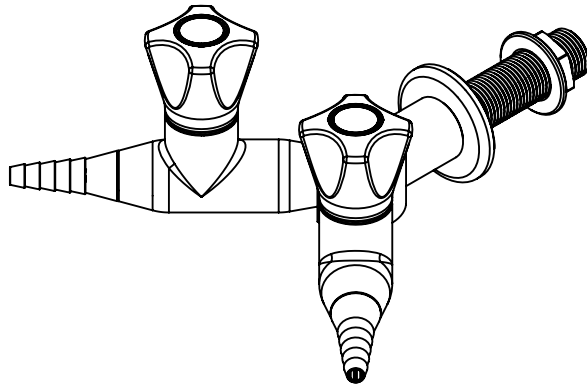
D

A

B

C

D



CLIENT TO SPECIFY MEDIA TYPE

COLOUR CHART

MEDIA	SALES CODE	SALES CODE	SALES CODE	SALES CODE	ZONE 1	ZONE 2	ZONE 3
WATER							
	CERAMIC VALVE	CERAMIC VALVE WITH ISOLATION VALVE	NEEDLE VALVE	NEEDLE VALVE WITH ISOLATION VALVE			
COLD WATER	LCN143WCWH2O	LCN143WICWH2O	LCN143WNCWH2O	LCN143WNICWH2O	GREEN	GREEN	BLUE
HOT WATER	LCN143WHWH2O	LCN143WIHWH2O	LCN143WNHWH2O	LCN143WNIHWH2O	GREEN	GREEN	RED
DISTILLED WATER	LCN143WDWH2O	LCN143WIDWH2O	LCN143WNDWH2O	LCN143WNIDWH2O	GREEN	WHITE	WHITE
CHILLED WATER	LCN143WCHH2O	LCN143WICHH2O	LCN143WNC HH2O	LCN143WNIC HH2O	GREEN	BLUE	BLUE
GAS							
			NEEDLE VALVE	NEEDLE VALVE WITH ISOLATION VALVE			
ARGON	-	-	LCN143WNAR	LCN143WNIAR	BLUE	GREY	GREY
CARBOGEN	-	-	LCN143WNCB	LCN143WNICB	BLUE	BLACK	BLUE
CARBON DIOXIDE	-	-	LCN143WNCO2	LCN143WNICO2	BLUE	BLUE	BLACK
COMPRESS AIR	-	-	LCN143WNAIR	LCN143WNI AIR	BLUE	BLUE	YELLOW
HELIUM	-	-	LCN143WNHE	LCN143WNIHE	BLUE	GREY	WHITE
HYDROGEN	-	-	LCN143WNH2	LCN143WNIH2	RED	RED	RED
NITROGEN	-	-	LCN143WNN2	LCN143WNNIN2	BLUE	GREEN	GREEN
NITROUS OXIDE	-	-	LCN143WNN2O	LCN143WNNIN2O	BLUE	GREEN	BLUE
OXYGEN	-	-	LCN143WNO2	LCN143WNI O2	BLUE	BLUE	BLUE
VACUUM	-	-	LCN143WNVAC	LCN143WNI VAC	GREY	GREY	GREY
BURNING GASES							
	PUSH TO TURN CERAMIC	PUSH TO TURN CERAMIC WITH ISOLATION VALVE	NEEDLE VALVE	NEEDLE VALVE WITH ISOLATION VALVE			
ACETYLENE	LCN143WBC2H2	LCN143WBIC2H2	LCN143WNC2H2	LCN143WNIC2H2	YELLOW	WHITE	GREEN
BUTANE	LCN143WBC4H10	LCN143WBIC4H10	LCN143WNC4H10	LCN143WNIC4H10	YELLOW	BLUE	BLUE
ETHYLENE	LCN143WBC2H4	LCN143WBIC2H4	LCN143WNC2H4	LCN143WNIC2H4	YELLOW	BLACK	GREEN
LPG	LCN143WB LPG	LCN143WBILPG	LCN143WNLPG	LCN143WNI LPG	YELLOW	RED	YELLOW
METHANE	LCN143WBCH4	LCN143WBICH4	LCN143WNC H4	LCN143WNI CH4	YELLOW	BLUE	YELLOW
NATURAL GAS	LCN143WBGAS	LCN143WBIGAS	LCN143WNGAS	LCN143WNI GAS	YELLOW	YELLOW	YELLOW
PROPANE	LCN143WBC3H8	LCN143WBIC3H8	LCN143WNC3H8	LCN143WNIC3H8	YELLOW	BLUE	RED

GENERAL NOTES:

- REMOVE ALL BURRS AND SHARP EDGES UNLESS OTHERWISE STATED
- ALL THREADS TO BE CHAMFERED
- DIMENSIONS ARE IN mm's
- DO NOT SCALE OFF DIMENSIONS

TOLERANCE EXCEPT WHERE STATED:

- NO DECIMAL POINT ± 0.2
- ONE DECIMAL PLACE ± 0.1
- ANGLES $\pm 1^\circ$

ENWARE RESERVES THE RIGHT TO AMMEND PRODUCT SPECIFICATIONS AND DESIGNS WITHOUT NOTICE

DRAWN	AC
CHECKED	YK
APPROVED	CL



This drawing is the property of Enware Australia Pty Ltd and may not be reproduced in full or part without the written consent of Enware Australia.



9 Endeavour Rd,
Caringbah, NSW, 2229
Ph. 61-2-9525-9511
Fax. 61-2-9524-8421



TITLE
W'MNT STRAIGHT 2 WAY VLV

DRAWING NUMBER: **LCN143W**

FINISH: POWDERCOATED WHITE

SIZE: A4

SCALE: 1:3

SHEET: 3 OF 3

REVISION

REV.	DATE	ECN	DESCRIPTION	MODIFIED BY
A	26/03/11		FIRST ISSUE	
B	03/05/12		885135 WAS 885315	
C	27/11/13	2309	671434 WAS 672418	YK
D	12/11/14	3893	887093 WAS 886635	TD

A

B

C

D