

Slimline Right Angle Wall Mounted Laboratory Tap

LCN140WN

Enware's Slimline laboratory outlets are supplied with a tapered tube nozzle and are assembled for each specific media type.

The durable powder coat finish gives significant protection against corrosion, discolouration and surface damage.

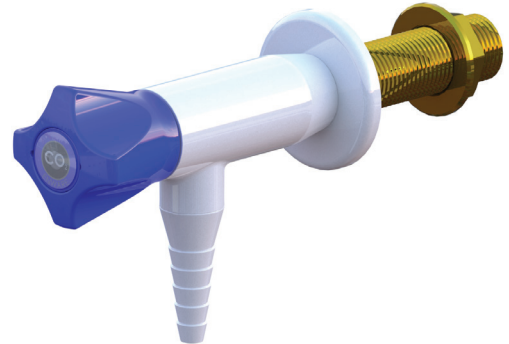
Slimline handles are ergonomically designed for precise feel and finger tip control. Handles are colour coded for easy service identification and use complimentary buttons.

FEATURES

- Suited for dry media up to technical gas level 2.0 (with isolation), 4.0 (without isolation) and higher upon request
- Teflon needle valve with stainless steel seat
- Durable powder coat finish
- Handle and indicator button identification to suit specified media
- 1/2" BSP male inlet tail with 3/8" BSP female
- Fixing kit (backnut and antirotation pin)
- Tube nozzle
- Optional integral isolation/service valve

Additional Options

- Finishes - Durable white powder coat (standard), bright chrome or alternate powder coat colouring available

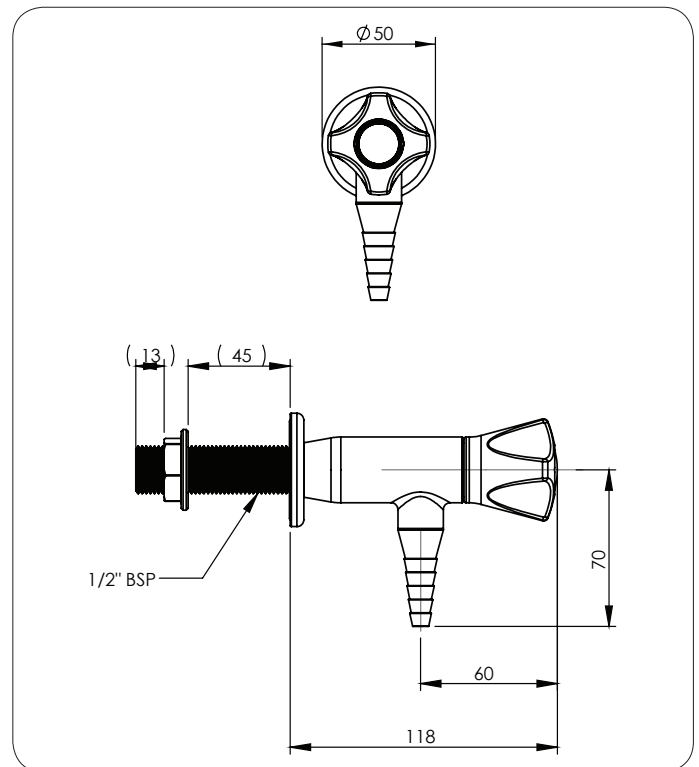


Product Codes

LCN140WN	Needle Valve - Dry Media Only
LCN140WNI	Needle Valve with Isolation Valve - Dry Media Only

Technical Information

Connection	1/2" BSP Male/Female
	3/8" BSP Female
Recommended Maximum Working Pressure - Needle Valve	700kPa (Dry Media)
Maximum Testing Pressure	1000kPa
Outlet Connection	Tube Nozzle
	3/8" BSP Female (without nozzle)
	Other options available
Dry Media Options	Argon, Carbogen, Carbon Dioxide, Compressed Air, Helium, Hydrogen, Nitrogen, Nitrous Oxide, Oxygen, Vacuum. <i>NOTE: Client to specify media type</i>



Version: MAR12

Call 1300 369 273
www.enware.com.au

Enware Australia Pty Limited
9 Endeavour Rd Caringbah NSW 2229 Australia
Ph: 02 8536 4000 info@enware.com.au

