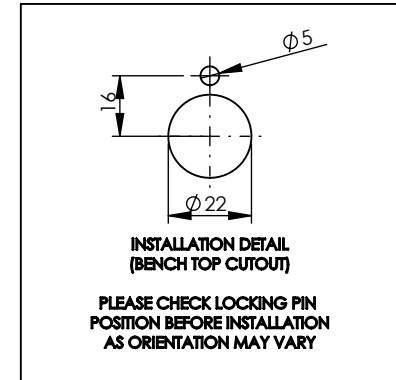
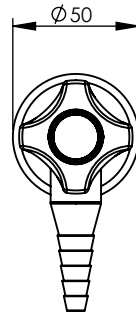
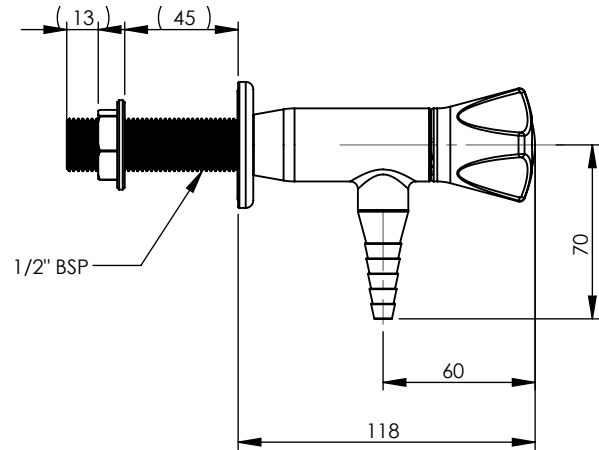
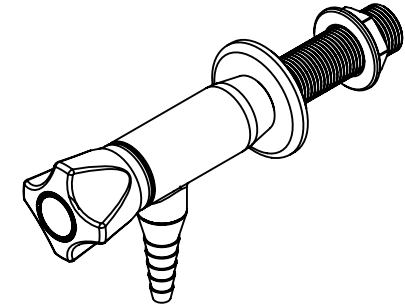
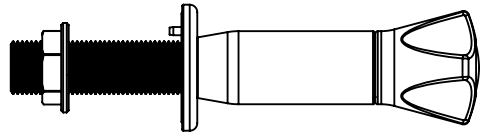


A

B

C

D



CLIENT TO SPECIFY MEDIA TYPE

**NOTE:**

TAIL AND BASE TO BE SUPPLIED LOOSE.  
 CLIENT TO SEAL TAIL AND LOCK BASE TO THREAD AS REQUIRED.  
 SEALANT MUST BE CHOSEN TO MATCH SPECIFIED MEDIA.

**GENERAL NOTES:**  
 - REMOVE ALL BURRS AND SHARP EDGES UNLESS OTHERWISE STATED  
 - ALL THREADS TO BE CHAMFERED  
 - DIMENSIONS ARE IN mm's  
 - DO NOT SCALE OFF DIMENSIONS

DRAWN	AC
CHECKED	YK
APPROVED	CL



9 Endeavour Rd,  
 Caringbah, NSW, 2229  
 Ph. 61-2-9525-9511  
 Fax. 61-2-9524-8421

This drawing is the property of Enware Australia Pty Ltd and may not be reproduced in full or part without the written consent of Enware Australia.



TITLE  
**W'MNT R/A ND VLV**

DRAWING NUMBER: **LCN140WN**

FINISH: POWDERCOATED WHITE

SIZE: A4

SCALE: 1:3

SHEET: 1 OF 3

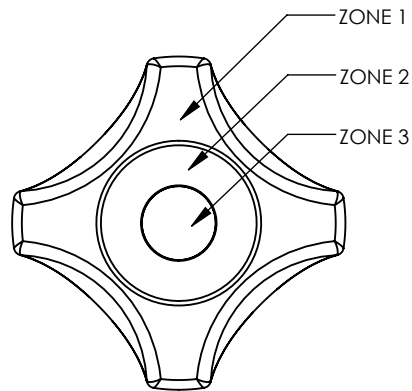
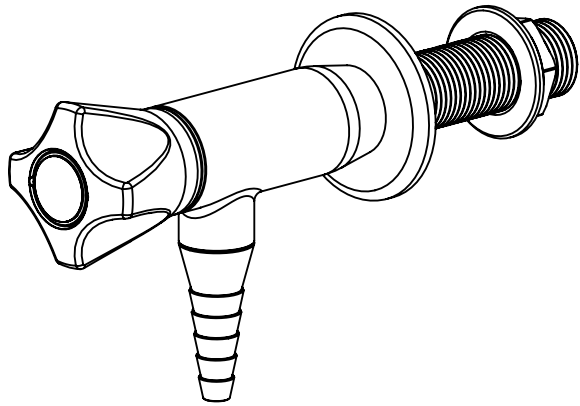
REVISION				
REV.	DATE	ECN	DESCRIPTION	MODIFIED BY
A	30/05/11		FIRST ISSUE	
B	27/11/13	2309	671434 WAS 672418	YK
C	11/11/14	3893	887093 WAS 886635	TD

A

B

C

D



CLIENT TO SPECIFY MEDIA TYPE

COLOUR CHART							
MEDIA	SALES CODE	SALES CODE	SALES CODE	SALES CODE	ZONE 1	ZONE 2	ZONE 3
<b>WATER</b>							
	CERAMIC VALVE	CERAMIC VALVE WITH ISOLATION VALVE	NEEDLE VALVE	NEEDLE VALVE WITH ISOLATION VALVE			
COLD WATER	LCN140WCWH2O	LCN140WICWH2O	LCN140WNCWH2O	LCN140WNICWH2O	GREEN	GREEN	BLUE
HOT WATER	LCN140WHWH2O	LCN140WIHWH2O	LCN140WNHWH2O	LCN140WNIHWH2O	GREEN	GREEN	RED
CHILLED WATER	LCN140WCHWH2O	LCN140WICHWH2O	LCN140WNCWH2O	LCN140WNICHWH2O	GREEN	BLUE	BLUE
<b>GAS</b>							
			NEEDLE VALVE	NEEDLE VALVE WITH ISOLATION VALVE			
ARGON	-	-	LCN140WNAR	LCN140WNIAR	BLUE	GREY	GREY
CARBOGEN	-	-	LCN140WNCB	LCN140WNICB	BLUE	BLACK	BLUE
CARBON DIOXIDE	-	-	LCN140WNCO2	LCN140WNIICO2	BLUE	BLUE	BLACK
COMPRESS AIR	-	-	LCN140WNAIR	LCN140WNIAIR	BLUE	BLUE	YELLOW
HELIUM	-	-	LCN140WNHE	LCN140WNIHE	BLUE	GREY	WHITE
HYDROGEN	-	-	LCN140WNH2	LCN140WNIH2	RED	RED	RED
NITROGEN	-	-	LCN140WNN2	LCN140WNNI2	BLUE	GREEN	GREEN
NITROUS OXIDE	-	-	LCN140WNN2O	LCN140WNNI2O	BLUE	GREEN	BLUE
OXYGEN	-	-	LCN140WNO2	LCN140WNOI2	BLUE	BLUE	BLUE
VACUUM	-	-	LCN140WNVAC	LCN140WNVIVAC	GREY	GREY	GREY
<b>BURNING GASES</b>							
	PUSH TO TURN CERAMIC	PUSH TO TURN CERAMIC WITH ISOLATION VALVE	NEEDLE VALVE	NEEDLE VALVE WITH ISOLATION VALVE			
ACETYLENE	LCN140WBC2H2	LCN140WBIC2H2	LCN140WNC2H2	LCN140WNIC2H2	YELLOW	WHITE	GREEN
BUTANE	LCN140WBC4H10	LCN140WBIC4H10	LCN140WNC4H10	LCN140WNIC4H10	YELLOW	BLUE	BLUE
ETHYLENE	LCN140WBC2H4	LCN140WBIC2H4	LCN140WNC2H4	LCN140WNIC2H4	YELLOW	BLACK	GREEN
METHANE	LCN140WBCH4	LCN140WBICH4	LCN140WNC4H4	LCN140WNIC4H4	YELLOW	BLUE	YELLOW
OUTLET GAS (LPG)	LCN140WBGAS	LCN140WBIGAS	LCN140WNGAS	LCN140WNIIGAS	YELLOW	YELLOW	YELLOW

**GENERAL NOTES:**  
 - REMOVE ALL BURRS AND SHARP EDGES UNLESS OTHERWISE STATED  
 - ALL THREADS TO BE CHAMFERED  
 - DIMENSIONS ARE IN mm's  
 - DO NOT SCALE OFF DIMENSIONS

**TOLERANCE EXCEPT WHERE STATED:**  
 NO DECIMAL POINT    / 2  
 ONE DECIMAL PLACE    / 1  
 ANGLES                    / 1°

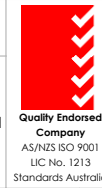
ENWARE RESERVES THE RIGHT TO AMEND PRODUCT SPECIFICATIONS AND DESIGNS WITHOUT NOTICE

DRAWN	AC
CHECKED	YK
APPROVED	CL

This drawing is the property of Enware Australia Pty Ltd and may not be reproduced in full or part without the written consent of Enware Australia.



9 Endeavour Rd,  
 Caringbah, NSW, 2229  
 Ph. 61-2-9525-9511  
 Fax. 61-2-9524-8421



TITLE <b>W'MNT R/A ND VLV</b>	
DRAWING NUMBER: <b>LCN140WN</b>	
FINISH: POWDERCOATED WHITE	
SIZE: A4	SCALE: 1:1
SHEET: 3 OF 3	

REVISION				
REV.	DATE	ECN	DESCRIPTION	MODIFIED BY
A	30/05/11		FIRST ISSUE	
B	27/11/13	2309	671434 WAS 672418	YK
C	11/11/14	3893	887093 WAS 886635	TD