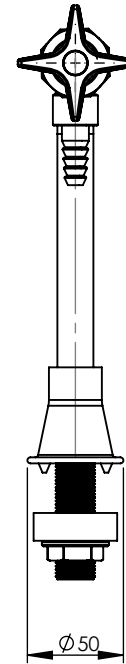
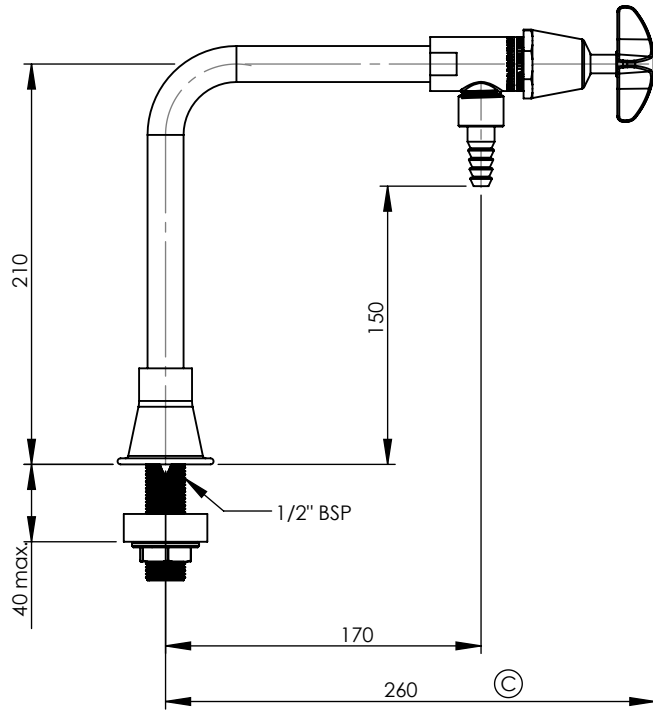
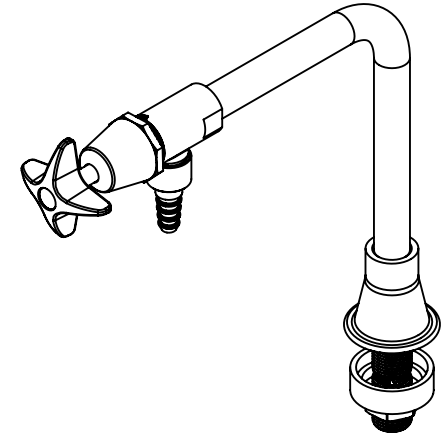
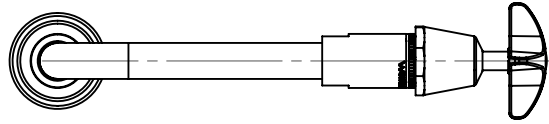


A

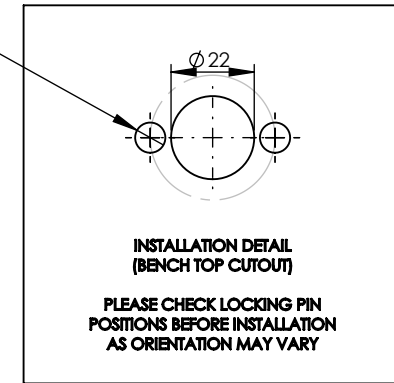
B

C

D



2 HOLES $\varnothing 8$, TYP
ON $\varnothing 33$ PCD



GENERAL NOTES:

- REMOVE ALL BURRS AND SHARP EDGES UNLESS OTHERWISE STATED
- ALL THREADS TO BE CHAMFERED
- DIMENSIONS ARE IN mm's
- DO NOT SCALE OFF DIMENSIONS

TOLERANCE EXCEPT WHERE STATED:

- NO DECIMAL POINT $\nabla 2$
- ONE DECIMAL PLACE $\nabla 1$
- ANGLES $\nabla 1^\circ$

ENWARE RESERVES THE RIGHT TO AMMEND PRODUCT SPECIFICATIONS AND DESIGNS WITHOUT NOTICE

DRAWN KN
CHECKED YK
APPROVED AC



This drawing is the property of Enware Australia Pty Ltd and may not be reproduced in full or part without the written consent of Enware Australia.

ENWARE
AUSTRALIA PTY LIMITED

9 Endeavour Rd,
Caringbah, NSW, 2229
Ph. 61-2-9525-9511
Fax. 61-2-9524-8421



TITLE
T17 R/A 1 WAY LAB SET VPQ

DRAWING NUMBER: **LFQ111**

FINISH: CHROME

SIZE: A4

SCALE: 1:4

SHEET: 1 OF 2

REVISION

REV.	DATE	ECN	DESCRIPTION	MODIFIED BY
A	31/10/06		FIRST ISSUE	
B	11/04/12		880117, 880314 WAS 893117, 893330 ADDED 672589.	EK
C	15/12/15	5381	CHANGED ORIENTATION OF THE BASE. DIM. 260 WAS 265.	TD

A

B

C

D