

Type 40 2 Way Gas Turret 90 Degree MI 15mm

LF125

The anti-vandal gas turrets are suitable for natural gas, LPG and tempered LPG, accepting a maximum pressure of 7kPa. The turrets accept a tube of 10mm ID and may incorporate a check valve integral of the unit on request. All turrets have a yellow gas-indicator button and are also available in epoxy powder coat.

Features:

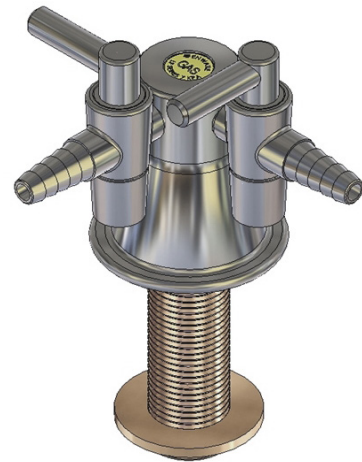
- High quality construction with durable chrome plating
- Two anti-rotation lugs
- Comprehensive 12-month warranty
- Made in Australia

Product Codes

LF125 Type 40 2 Way Gas Turret 90 Degree MI 15mm

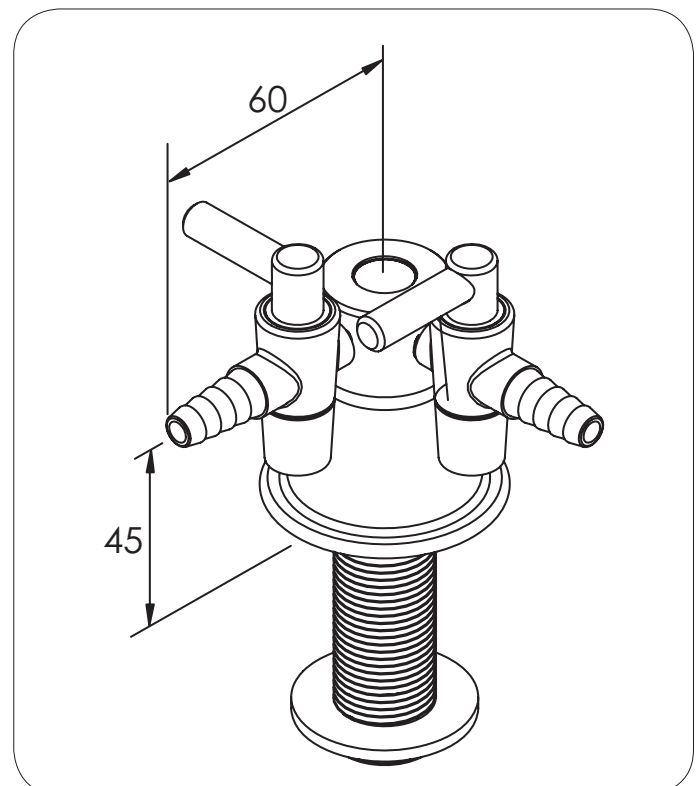
Options:

- Epoxy coating - specify when ordering



Technical Information

Recommended Maximum Working Pressure	7kPa
Gas Consumption	5.7 Mj/hour through one plug cock
Inlet Connection	1/2" BSP Male Thread Connection (do not use tapered loose nut connector)



Version: AUG13

Call 1300 369 273
www.enware.com

Enware Australia Pty Limited
9 Endeavour Rd Caringbah NSW 2229 Australia
Ph: +61 2 8556 4000 Fax: +61 2 8556 4055


installing confidence