

# Type 37 1 Way Gas Turret FI 15mm

**LF122**

The anti-vandal gas turrets are suitable for natural gas, LPG and tempered LPG, accepting a maximum pressure of 7kPa. The turrets accept a tube of 10mm ID and may incorporate a check valve integral of the unit on request. All turrets have a yellow gas-indicator button and are also available in epoxy powder coat.

#### Features:

- High quality construction with durable chrome plating
- Two anti-rotation lugs
- Comprehensive 12-month warranty
- Made in Australia



#### Product Codes

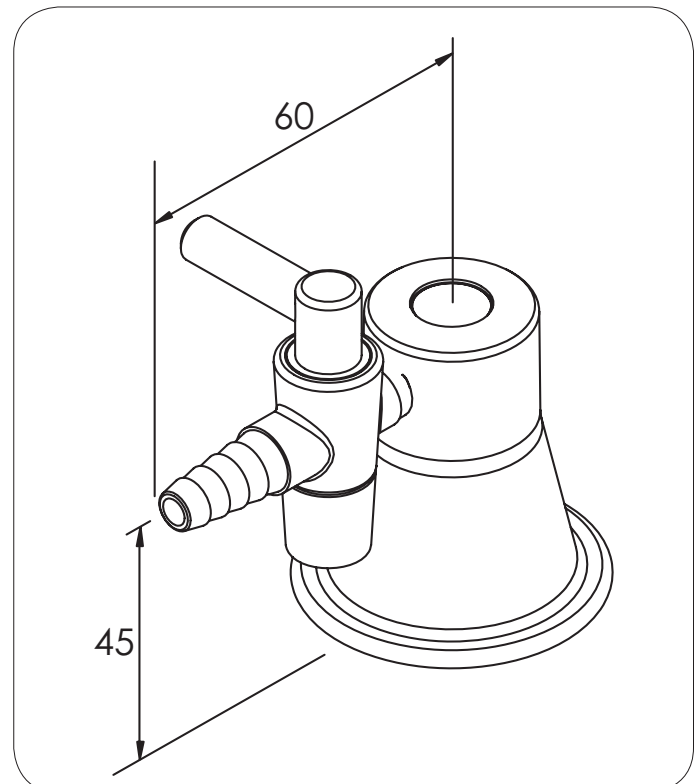
**LF122**      Type 37 1 Way Gas Turret FI 15mm

#### Options:

- Epoxy coating - specify when ordering

#### Technical Information

Recommended Maximum Working Pressure	7kPa
Gas Consumption	5.7 Mj/hour through one plug cock
Inlet Connection	1/2" BSP Female



Version: AUG13

**Call 1300 369 273**  
**www.enware.com**

Enware Australia Pty Limited  
9 Endeavour Rd Caringbah NSW 2229 Australia  
Ph: +61 2 8556 4000 Fax: +61 2 8556 4055

  
installing confidence