

Type 26 Bench Mounted Laboratory Bib Tap

LF118

A one tap hole bench mounted fixed bib outlet. Supplied complete with School Pattern or CS anti-vandal handle and indicator button, standard or anti-vandal aerator or tube nozzle. Base is provided with two anti-rotation lugs.

Also available with ¼ turn Ceramic Disc.

LF118S and LF118SL comply to NSW School Specification.



Product Code

LF118 - Type 26 Bench Mounted Lab Bib Tap School Pattern - Jumper Valve

LF118S - Type 26 Bench Mounted Lab Bib Tap with Anti-Vandal Aerator School Pattern - Jumper Valve (School Specification)

LF118SL - Type 26 Bench Mounted Lab Bib Tap with Lever - 8lpm School Pattern - Jumper Valve (School Specification)

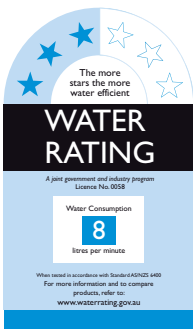
LFQ118 - Type 26 Bench Mounted Lab Bib Tap School Pattern - ¼ Turn Ceramic Disc

LCS118 - Type 26 Bench Mounted Lab Bib Tap CS Series - Jumper Valve

LCQ118 - Type 26 Bench Mounted Lab Bib Tap CS Series - ¼ Turn Ceramic Disc

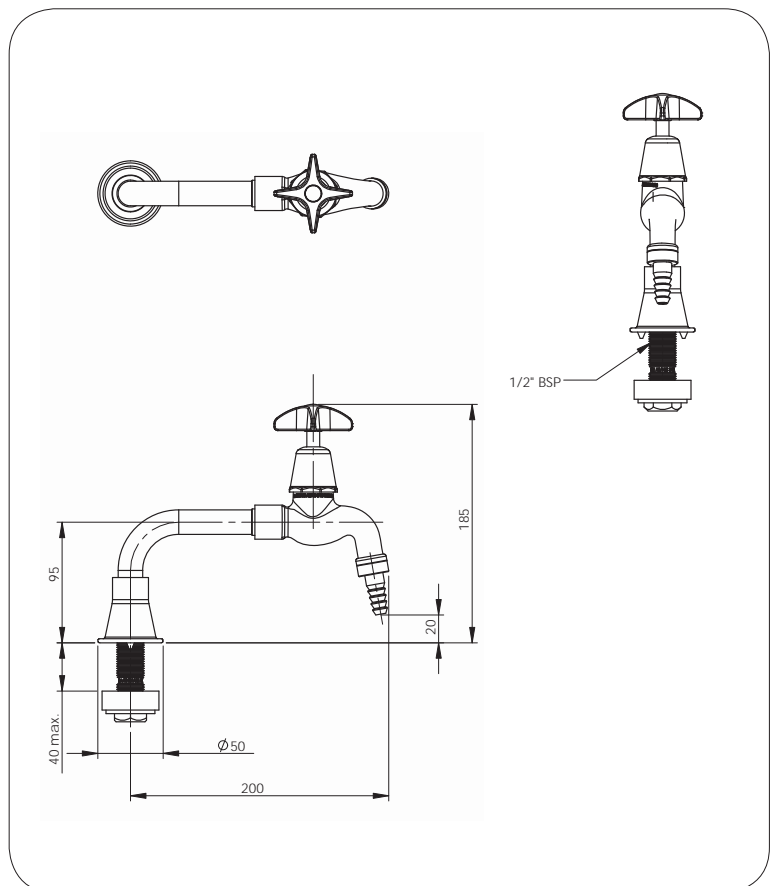
Technical Information

Inlet Connection	15 mm (½") BSP
Working Pressure Range	100 - 500 kPa
Recommended Pressure	350 kPa
Flow Rate	8 l/minute
Operating Temperature Range	0-85°C
Recommended Temperature Range	5-30°C



Enware tap ware must be installed in accordance with the provisions of AS/NZS 3500. Installations not complying with AS/NZS 3500 may void the product and performance warranty provisions.

Version: FEB11



Call 1300 369 279
www.enware.com

Enware Australia Pty Limited
9 Endeavour Rd Caringbah NSW 2229 Australia
Ph: +61 2 9525 9511 Fax: +61 2 9525 9536

ENWARE
AUSTRALIA PTY LIMITED