

# School Pattern Type 26 Wall Mounted Laboratory Bib Tap

A wall mounted laboratory tap with tube nozzle.

## LF118W

### Features:

- High quality construction with durable chrome plating
- Anti-rotation lugs
- Vandal resistant school pattern or CS handle
- Comprehensive 12-month warranty
- Serviceable with all wearing components replaceable, thus providing an even longer life
- Supplied with cold identification
- Made in Australia
- WELS 3 Star (8 lpm) water efficiency rating supplied as standard. Also available in 2 (9.5 lpm) and 5 (6 lpm) Star ratings



### Product Codes

<b>LF118W</b>	School Pattern Jumper Valve
<b>LFQ118W</b>	School Pattern 1/4 Turn Ceramic Disc

### Options:

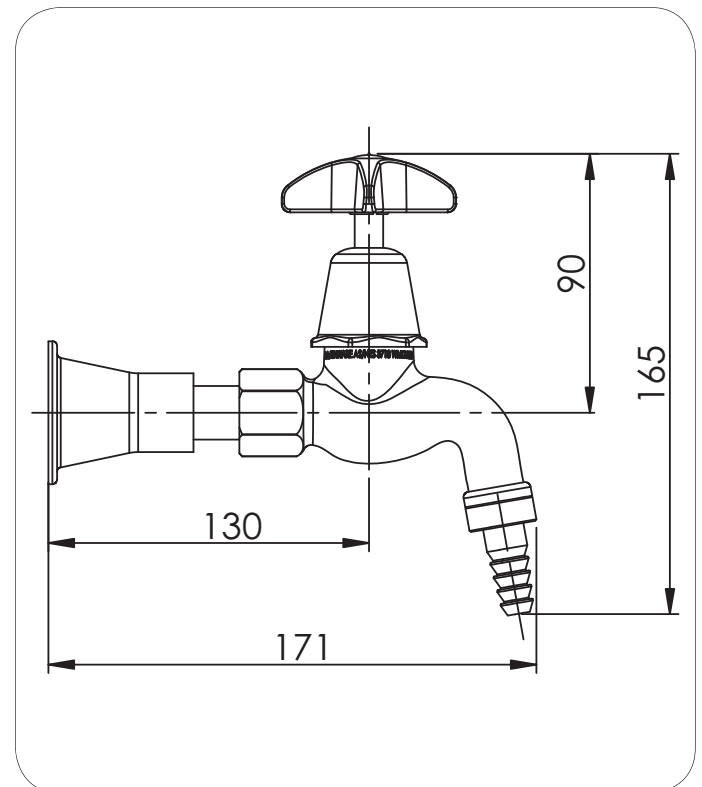
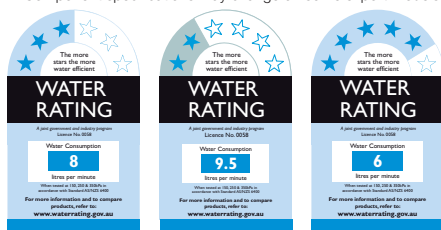
- CS handle - refer to LCS
- Epoxy coating - specify when ordering
- Outlet attachments - aerated, anti-vandal aerator contact Enware for more information

### Technical Information

Working Pressure Range Ceramic Disc	50-800kPa 500kPa Max (PCA)*
Working Pressure Range Jumper Valve	30-1200kPa 500kPa Max (PCA)*
Maximum Working Temperature*	Ceramic Disc - 85°C Jumper Valve - 95°C

\*Enware products are to be installed in accordance with AS/NZS3500. Heated Water Supply AS/NZS 3500.4: For all sanitary fixtures used primarily for personal hygiene purposes are to deliver heated water not exceeding:  
a) 45°C for early childhood centres, primary and secondary schools and nursing homes or similar facilities for young, aged care, sick people with disabilities (43.5°C - NSW Code of Plumbing Practice)  
b) 50°C in all other buildings

NOTE: Enware Australia advises -  
1. Due to ongoing Research and Development, specifications may change without notice.  
2. Component specifications may change on some export models.



Version: AUG13

Call 1300 369 273  
[www.enware.com](http://www.enware.com)

Enware Australia Pty Limited  
9 Endeavour Rd Caringbah NSW 2229 Australia  
Ph: +61 2 8556 4000 Fax: +61 2 8556 4055

  
installing confidence