

School Pattern Type 16A Laboratory Stop Tap with Aerated Swivel Outlet

LF110

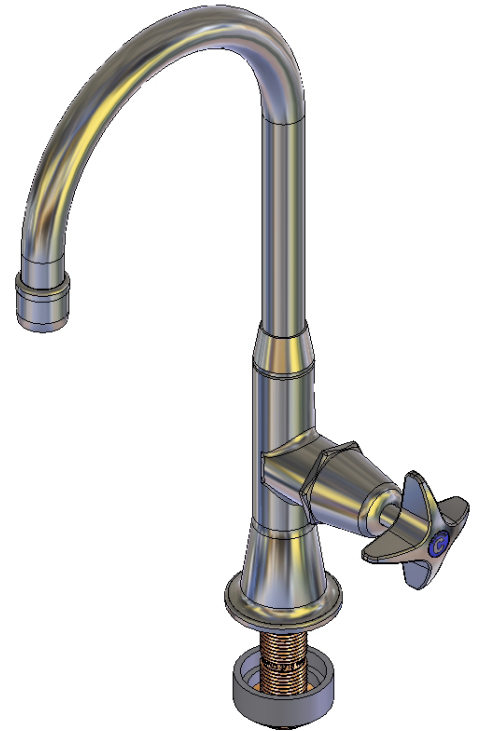
A single hole laboratory tap with swivel spout and aerator.

FEATURES

- High quality construction with durable chrome plating
- Anti-rotation lugs
- Vandal resistant school pattern or CS handle
- Comprehensive 12-month warranty
- Serviceable with all wearing components replaceable, thus providing an even longer life
- Supplied with cold identification
- Made in Australia
- WELS 3 Star (8 lpm) water efficiency rating supplied as standard. Also available in 5 Star (6 lpm) and 6 Star (4 lpm) ratings

OPTIONS

- CS handle - refer to LCS
 - Epoxy coating - specify when ordering
 - Outlet attachments - aerated, anti-vandal aerator
 - Alternate spout sizes
- Contact Enware for detailed information on options



Product Codes

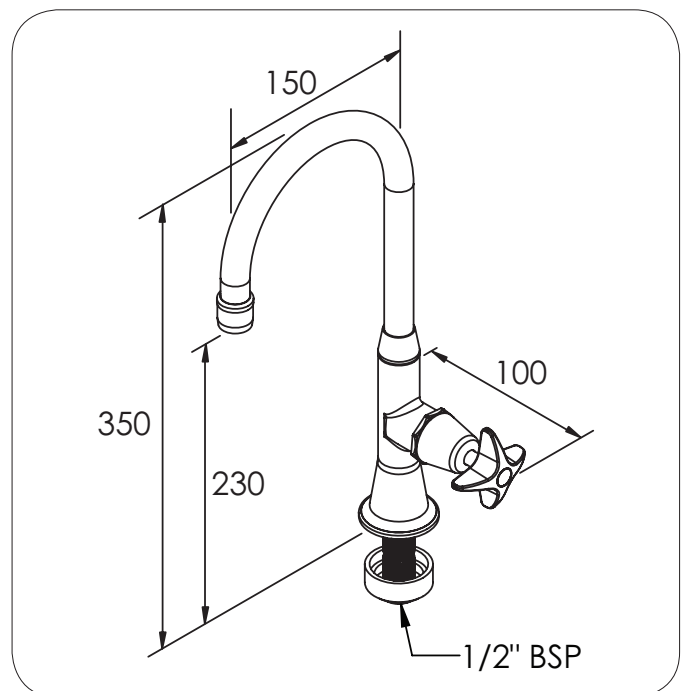
| | |
|---------------|--------------------------------------|
| LF110 | School Pattern Jumper Valve |
| LFQ110 | School Pattern 1/4 Turn Ceramic Disc |
| LF110E | School Pattern Jumper Valve Epoxy |

Technical Information

| | |
|--|--|
| Working Pressure Range Ceramic Disc | 50-800kPa 500kPa Max (PCA)* |
| Working Pressure Range Jumper Valve | 30-1200kPa 500kPa Max (PCA)* |
| Maximum Working Temperature* | Ceramic Disc - 85°C Jumper Valve - 95°C |

*Enware products are to be installed in accordance with AS/NZS3500. Heated Water Supply AS/NZS 3500.4: For all sanitary fixtures used primarily for personal hygiene purposes are to deliver heated water not exceeding:
a) 45°C for early childhood centres, primary and secondary schools and nursing homes or similar facilities for young, aged care, sick people with disabilities (43.5°C - NSW Code of Plumbing Practice)
b) 50°C in all other buildings

NOTE: Enware Australia advises -
1. Due to ongoing Research and Development, specifications may change without notice.
2. Component specifications may change on some export models.



Version: Nov 14

Call 1300 369 273
www.enware.com.au

Enware Australia Pty Limited
9 Endeavour Rd Caringbah NSW 2229 Australia
Ph: +61 2 8556 4000 Fax: +61 2 8556 4055

ENWARE
installing confidence