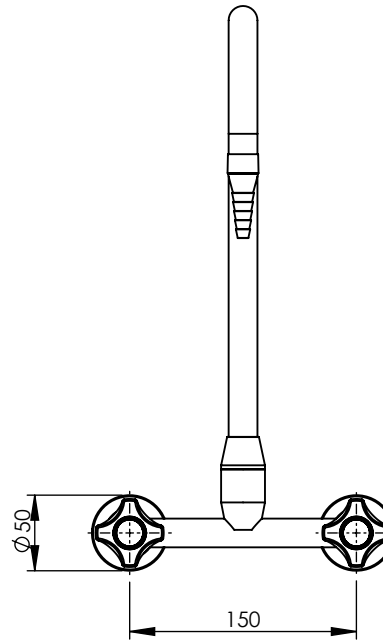
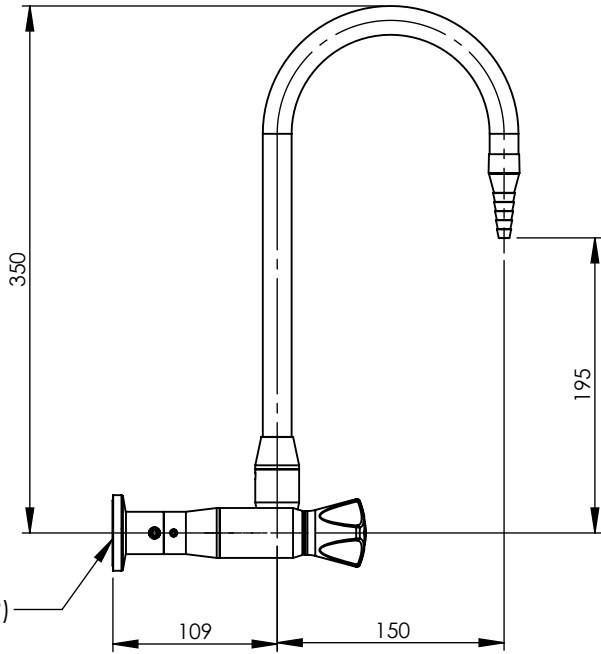
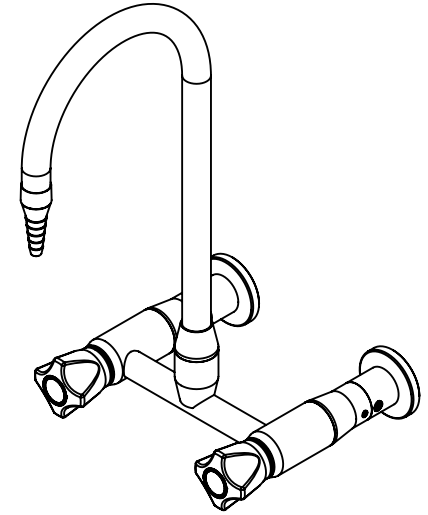
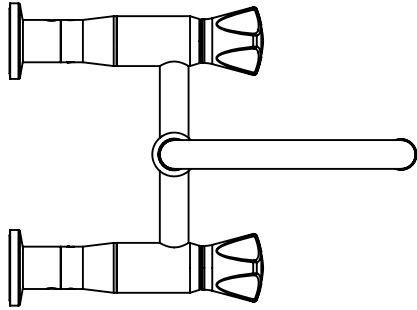


A

B

C

D



1/2" (BSP)

109

150

Ø 50

150



ENWARE RESERVES THE RIGHT TO AMMEND PRODUCT SPECIFICATIONS AND DESIGNS WITHOUT NOTICE

GENERAL NOTES:

- DIMENSIONS ARE IN mm's
- DO NOT SCALE OFF DIMENSIONS
- TAPWARE TOLERANCE / 2 (EXCEPT WHERE STATED)
- SAFETY SANITARY AND CARE TOLERANCE / 5 (EXCEPT WHERE STATED)

This drawing is the property of Enware Australia Pty Ltd and may not be reproduced in full or part without the written consent of Enware Australia.

DRAWN	AC
CHECKED	RA
APPROVED	CL



9 Endeavour Rd, Caringbah, NSW, 2229
Ph. +61 2 8536 4000
Email: info@enware.com.au

DRAWING NUMBER: LCN113W
DESCRIPTION: T19 MIX SET W' MOUNT SWL O'LET

REV: D.0

FINISH: POWDERCOATED WHITE

SIZE: A4

SCALE: 1:5

A

B

C

D

1

1

2

2

3

3

4

4