

A

B

C

D

1

1

2

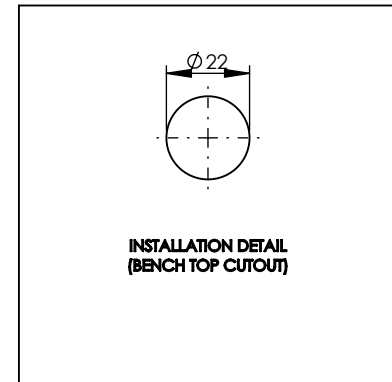
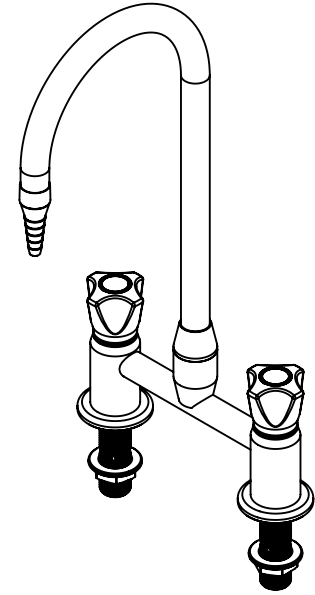
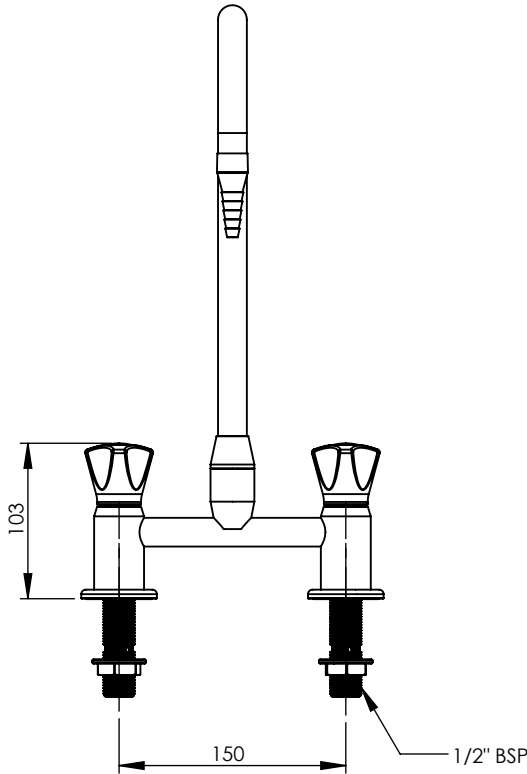
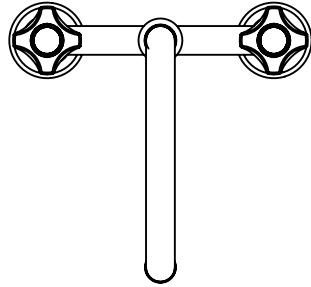
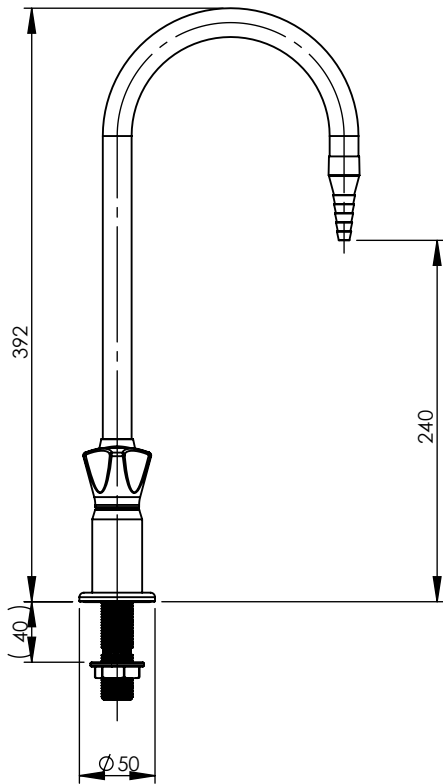
2

3

3

4

4



Quality Endorsed Company
 AS/NZS ISO 9001
 LIC No. 1213
 Standards Australia
 ENWARE RESERVES THE RIGHT TO AMMEND PRODUCT SPECIFICATIONS AND DESIGNS WITHOUT NOTICE

GENERAL NOTES:
 - DIMENSIONS ARE IN mm's
 - DO NOT SCALE OFF DIMENSIONS
 - TAPWARE TOLERANCE ± 2 (EXCEPT WHERE STATED)
 - SAFETY SANITARY AND CARE TOLERANCE ± 5 (EXCEPT WHERE STATED)

This drawing is the property of Enware Australia Pty Ltd and may not be reproduced in full or part without the written consent of Enware Australia.

| | |
|----------|----|
| DRAWN | AC |
| CHECKED | CL |
| APPROVED | LR |

ENWARE

9 Endeavour Rd,
 Caringbah, NSW, 2229 Ph. +61 2 8536 4000
 Fax. +61 2 8556 4055

DRAWING NUMBER: **LCN113**

REV **C.00**

TITLE:
T19 MIX SET SWL O'LET

FINISH:

SIZE: A4

SCALE: 1:5

A

B

C

D