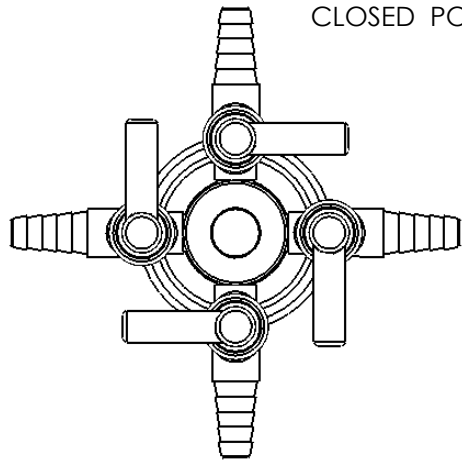
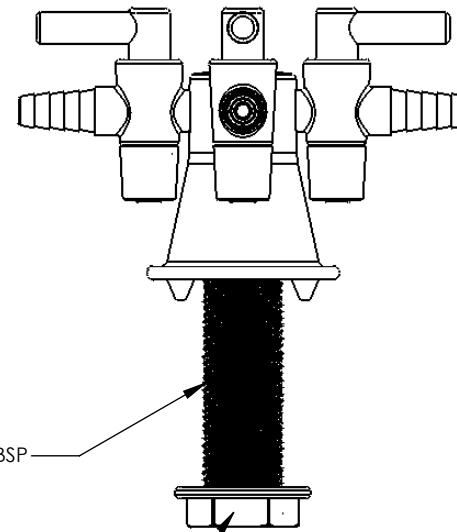
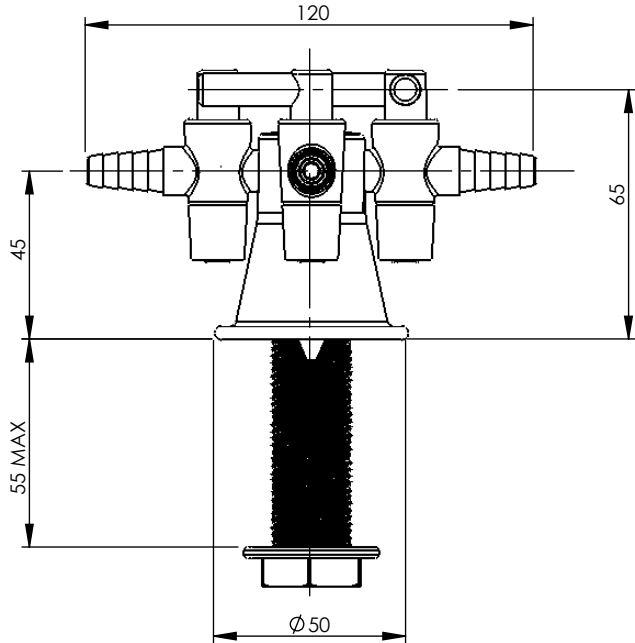
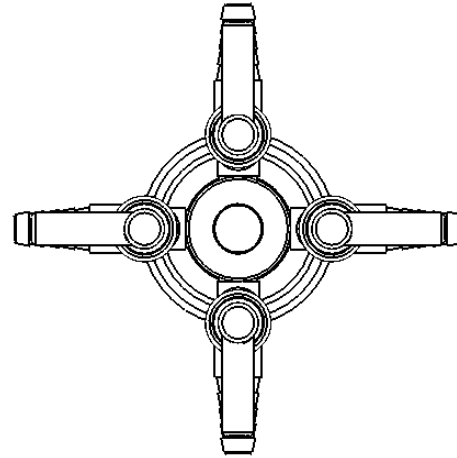


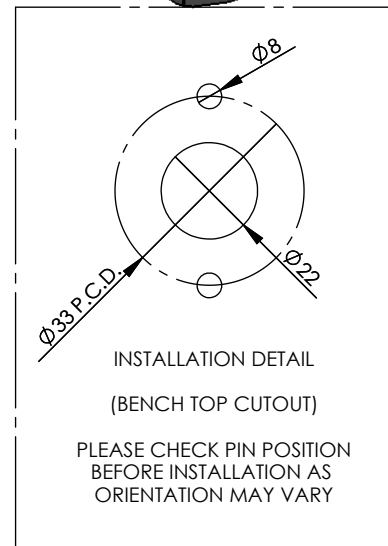
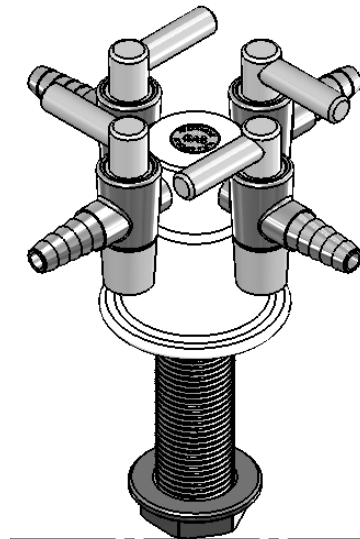
ⓑ
CLOSED POSITION



ⓑ
OPEN POSITION



3/8" BSPF (INTERNAL)



REV	DATE	CN	AMMENDMENTS	APP
A	17/07/07		FIRST ISSUE	
B	19/07/11		ADDED CLOSED ,OPEN VEIW ON DRAWING ⓑ	EK

GENERAL NOTES:
REMOVE ALL BURRS AND SHARP EDGES UNLESS OTHERWISE STATED
DIMENSIONS ARE IN mm's

TOLERANCE EXCEPT WHERE STATED:

NO DECIMAL POINT ± 0.2
ONE DECIMAL PLACE ± 0.1
TWO DECIMAL PLACES ± 0.05
ANGLES ± 1

ENWARE RESERVES THE RIGHT TO AMEND PRODUCT SPECIFICATIONS AND DESIGNS WITHOUT NOTICE.

DRAWN	KN	9 Endeavour Rd, Caringbah, NSW, 2229	
CHECKED		Ph. 61-2-9525-9511	
APPROVED		Fax. 61-2-9524-8421	
TITLE: T42 4WAY GAS TURRET			
Scale: Not To Scale		Scale: Not To Scale	
MATERIAL:			
FINISH: POWDERCOATED			
This drawing is the Copyright of Enware Australia Pty Ltd and may not be reproduced in full or part without the written consent of Enware Australia Pty Ltd		DWG NO. LC127	SHEET 1 OF 2