

# Bottle Filler Retrofit Suitable for Wallsend Trough With a Lid - Lever Activation Right Hand Side

## BUBBFRWEL-LR

### Refill and Refresh

It goes without saying that water is essential to our health and wellbeing and super important to keep our children well hydrated while at school.

Encouraging good hydration habits means students need to have easy access to drinking water. Enware's range of bottle fillers are an easy way for school children to refill water bottles regularly throughout the day.

### FEATURES

- Retrofit alternative to BUB224B, BUB224C, BUB224L
- Valve has been designed for the rigours of daily use
- Vandal resistant design: Push button designed to be removed using a hand tool only
- Robust design - chrome plated brass body
- Self-closing mechanism
- Flow restrictor included

### Product Codes

**BUBBFRWEL-LR** Bottle Filler Retrofit Suitable For Wallsend Trough With A Lid - Lever Activation Right Hand Side

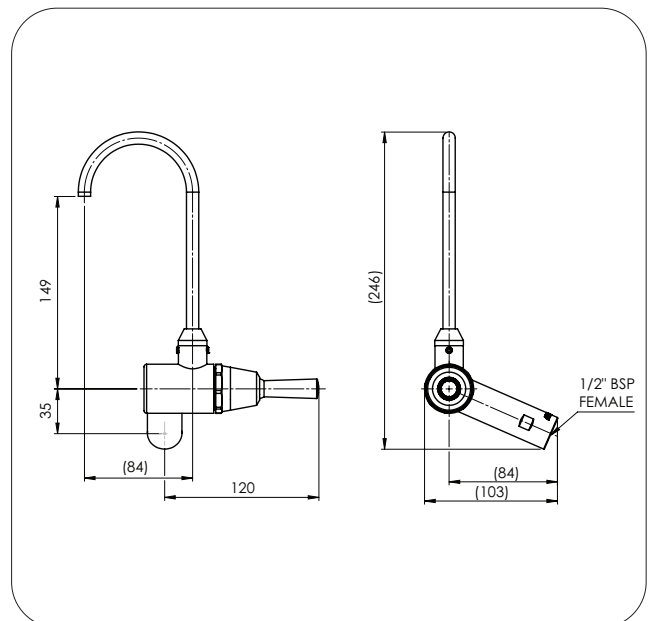


### Technical Information

Inlet Connection	1/2" BSP (15mm)
Operating Working Pressure *	50 - 500 kPa
Flow Rate	5 L/min
Recommended Temperature Range	5 - 30 °C
Operating Temperature Range	0 - 50 °C *

\* Enware products are to be installed in accordance with the Plumbing Code of Australia and AS/NZS3500. Reference should also be made to the Australasian Health facility Guidelines (AHFG), ABCB and Local Government regulations when considering the choice of, and the installation of these products.

NOTE: Enware Australia advises: 1. Due to ongoing Research and Development, specifications may change without notice; 2. Component specifications may change on some export models; 3. Refer to Warranty Statement for warranty details - [www.enware.com.au/warranty](http://www.enware.com.au/warranty)



Version: Jan 21

Call 1300 369 273  
[www.enware.com.au](http://www.enware.com.au)

Enware Australia Pty Limited  
 9 Endeavour Rd Caringbah NSW 2229 Australia  
 Ph: 02 8536 4000 [info@enware.com.au](mailto:info@enware.com.au)

