

A

B

C

D

1

1

2

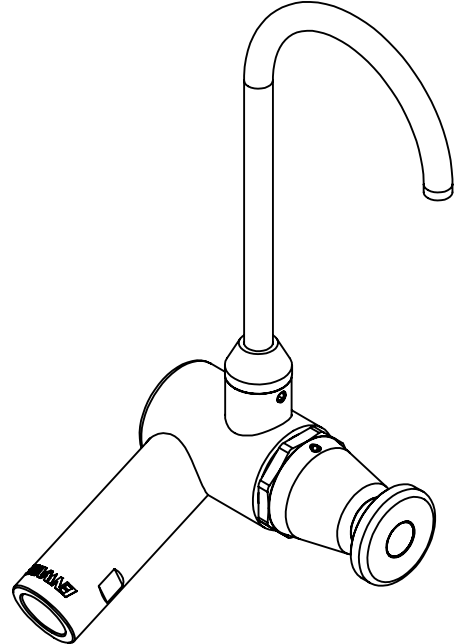
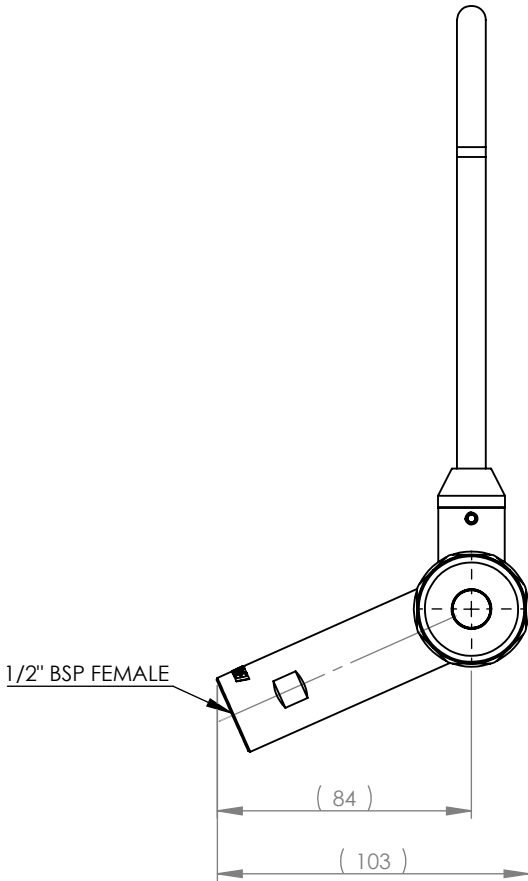
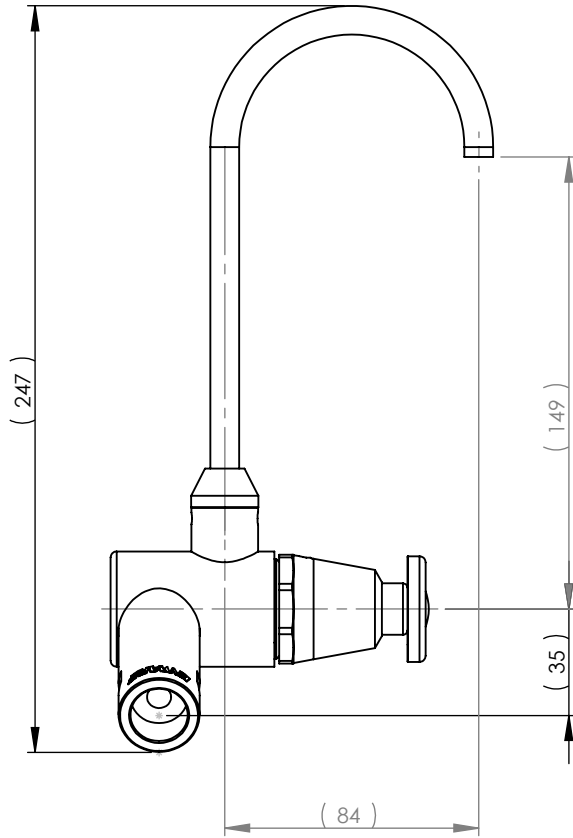
2

3

3

4

4



GENERAL NOTES:
 - DIMENSIONS ARE IN mm's
 - DO NOT SCALE OFF DIMENSIONS
 - TAPWARE TOLERANCE / 2 (EXCEPT WHERE STATED)
 - SAFETY SANITARY AND CARE TOLERANCE / 5 (EXCEPT WHERE STATED)

This drawing is the property of Enware Australia Pty Ltd and may not be reproduced in full or part without the written consent of Enware Australia.

DRAWN	AK
CHECKED	LR
APPROVED	ENW



9 Endeavour Rd,
 Caringbah, NSW, 2229
 Ph. +61 2 8536 4000
 Email: info@enware.com.au

DRAWING NUMBER: BUBBFRWE-L		REV: B.1
DESCRIPTION: BOTTLE FILLER RETRO W/END LEVER LEFT		
FINISH: CHROME PLATED	SIZE: A4	SCALE: 1:2.5

A

B

C

D