



Aquablend™ 2500

Thermostatic Mixing Valve Cabinet

LARGER CABINET TO ALLOW FOR EASIER
SERVICING. SUITABLE FOR HIGH DEMAND
APPLICATIONS.

 **ENWARE**

Aquablend™ 2500 Thermostatic Mixing Valve Cabinet

Enware's Aquablend™ 2500 Thermostatic Mixing Valve has been updated to include new cabinet designs and pipe layouts. The new cabinets are slightly larger to allow for easier servicing and onsite fitting of additional pipework or controls. The Aquablend™ 2500 is a high flow, large capacity thermostatic mixing valve (TMV) most suitable for multiple bathrooms, amenity blocks and showering facilities within sporting clubs.

features

- Standards Licenced to AS4032.1 - Thermostatic Mixing Valves
- Comprehensive technical manual supplied with every TMV
- Larger cabinet allowing for easier servicing and onsite fitting of additional pipework or controls
- Supplied complete with isolating valves, non-return valves and dual stage strainers incorporating temperature/pressure test ports

benefits

- Stainless steel design to ensure cabinet is durable and corrosion resistant
- Allows for in-wall variable depth adjustment
- Cabinet lockable by key
- Recessed lid is available in powder coated finishes

applications

- High demand applications such as shower blocks

Order Codes:

ATM725 Aquablend™ 2500 with 20mm FI Inlet 25mm MI Outlet

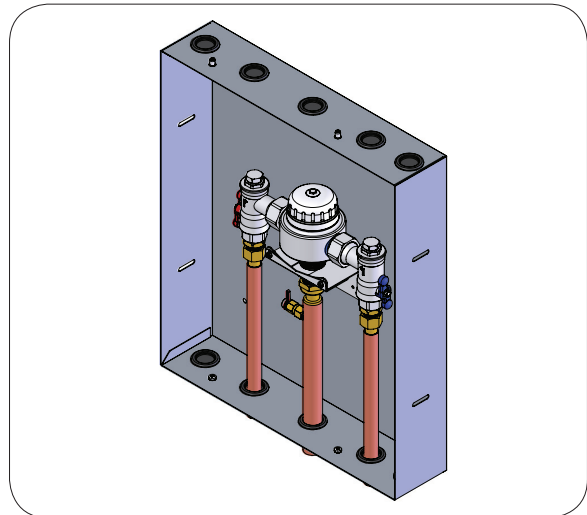
ATMS727-430 TMV Cabinet 3 Pipe

ATMS729-430 TMV Cabinet 4 Pipe CW Bypass

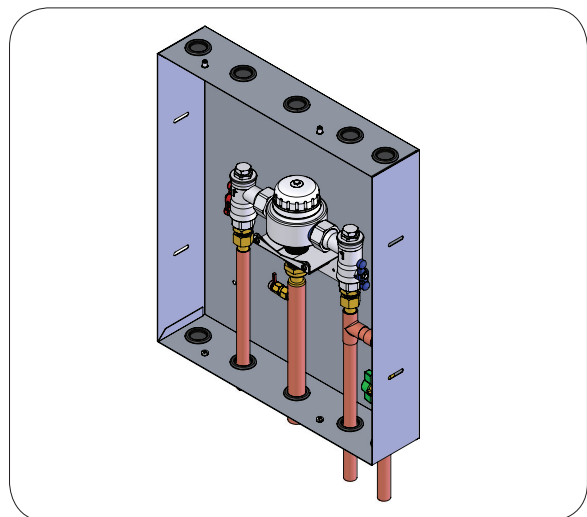
ATMSRL-430 and **ATMSRLPC-430** Lids

Smart Flow™ TMV Monitoring and Control System

TMV CABINET 3 PIPE – ATMS727-430



TMV CABINET 4 PIPE CW BYPASS – ATMS729-430



AQUABLEND™ 2500 TMV – ATM725

