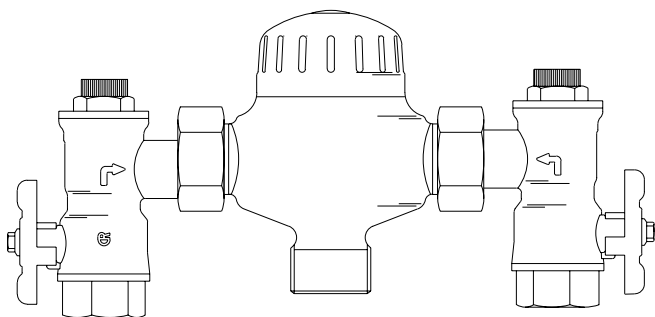


AQUABLEND 2500 25MM THERMOSTATIC MIXING VALVE

For use in Australia



I00045_Oct 20

Part No. IS127

Call 1300 369 273
www.enware.com.au



Enware Australia Pty Limited
9 Endeavour Rd Caringbah NSW 2229 Australia
Ph: 02 8536 4000 info@enware.com.au

Aquablend 2500 Thermostatic Mixing Valve

Contents

Introduction	2
Warranty	3
Safety	5
Product Range	5
Physical Description	6
Recommended Pressures & Temperatures	7
Flow Sizing Graph	8
Technical Description	9
Installation	10
Commissioning of the valve	12
Maintenance and servicing	15
Fault Finding	18
Spare Parts	20

Enware reserves the right to change any product specification or information contained in this publication, at any time and without notice. Every care has been taken to ensure accuracy in the Preparation of this publication which has been issued for guidance only. No liability can be accepted for any consequences which may arise as a result of its application. Enware = trade mark of Enware Australia Pty Limited - A.C.N. 003 988 314

Aquablend TMV's are exclusively manufactured for Enware Australia Pty Limited by Reliance Worldwide, 27-28 Chapman Place, Eagle Farm, Qld, 4009 Australia.

Introduction

The ENWARE AQUABLEND 2500 Thermostatic Mixing Valve is a high performance Thermostatic Mixing Valve suitable for a wide range of applications. The valve is designed to comply with AS4032 - Thermostatic Mixing Valves. The mixing valve has the following features:

- Complies with the requirements of AS4032 - Thermostatic Mixing Valves,
- Provides high stability of mixed water temperature even under changing inlet conditions,
- Ensures rapid shut down of mixed outlet flow in the event of hot or cold water supply failure,
- Designed for quick and simple in-situ servicing,
- Suitable for installation into AS3500 compliant systems with hot water temperature as low as 55°C
- Fitted with a Tamper Resistant temperature adjustment mechanism.

Warranty

The ENWARE AQUABLEND 2500 Thermostatic Mixing Valve is guaranteed free from manufacturing defects for a period of 24 months, subject to the conditions outlined below:

Enware Product Warranty

Subject to the warranty conditions and exclusions set out below ENWARE valves are warranted to be free from defects in material and/or workmanship for a period of 24 months service life and if found by ENWARE to be so defective will be replaced as set out below. If the valve is sold by a party other than ENWARE then it is sold by that seller as principal and the seller has no authority from ENWARE to give any additional warranty on behalf of ENWARE.

The benefits of this warranty are in addition to all other rights and remedies which the purchaser may have under the Trade Practices Act (Cwth) or similar laws of each State and Territory in Australia.

Warranty Conditions:

1. The valve must have been installed by a licensed plumber in accordance with the ENWARE Installation Instructions and Application Guidelines supplied with the valve, and in accordance with the National Plumbing and Drainage Code AS3500 (the Code) current at the date of installation and all relevant statutory and local requirements in the State or Territory in which the valve is installed.
2. Where the valve is installed outside the boundaries of a metropolitan area as defined by ENWARE, the cost of transport insurance and travelling shall be the purchaser's responsibility. (Refer to the ENWARE scale of fees for replacement of valves).
3. Where the valve comprises part of a hot water system, installation of that system must be in accordance with its manufacturer's recommendations, the Code and all relevant statutory and local State or Territory requirements.
4. The valve must be returned to ENWARE with a fully & correctly completed ENWARE Online Product Service and Warranty Form (www.enware.com.au/product-service-enquiry)

Aquablend 2500 Thermostatic Mixing Valve

5. Where the valve is replaced under warranty the replacement valve carries a new warranty as detailed herein.

Warranty Exclusions:

Replacement work will be carried out as set out in the ENWARE Warranty above, but the following exclusions may cause the warranty to become void, and may incur a service charge including cost of parts where:

6. Damage has been caused by accident, Acts of God, misuse, incorrect installation of the hot water system of which the valve forms a part or attempts to disassemble the valve.

7. It is found that there is nothing wrong with the valve.

8. The failure of the valve is due in part or in whole to faulty manufacture/installation of the hot water system of which the valve forms part.

9. The valve has failed directly or indirectly as a result of excessive water pressure or temperature outside the Application Guidelines, thermal input or corrosive environment.

10. The valve has failed due to foreign matter either from installation or the water supply.

11. The failure of the valve is due to scale formation in the waterways of the valve.

12. The failure of the valve is due in part, or in whole, to installation not in conformance with the requirements of the Code.

13. ENWARE reserves the right to change its specifications without prior notice and will not accept liability for any claim arising from such change.

14. Subject to any statutory provisions to the contrary, claims for damage to furniture, carpets, walls, foundations or any other consequential loss either directly or indirectly due to leakage from the valve are also excluded from warranty cover.

TM = Trademark of
Enware Australia Pty Limited (ENWARE)
9 Endeavour Road, Caringbah NSW 2229
© All rights reserved 1996

Aquablend 2500 Thermostatic Mixing Valve

Safety

The ENWARE AQUABLEND 2500 Thermostatic Mixing Valve is a high performance valve designed to give stable and dependable operation, provided it is installed, commissioned, operated and maintained as per the recommendations outlined in this manual. It should be noted however that this valve should not be considered as an alternative to adequate supervision and duty of care during its use and operation.

Note: When installed, the mixing valve, inlet controls, pipework and the surrounding area may become hot, which may cause burn injuries. Precautions should be taken to ensure that these surfaces cannot cause such injuries.

Product Range

The ENWARE AQUABLEND 2500 Thermostatic Mixing Valve is available complete with inlet service fittings. The inlet to the fittings is 3/4" BSP female, the outlet from the valve is 1" BSP male. The service fittings consist of isolating ball valves, strainers, pressure test points and non-return valves. The strainers can be serviced and cleaned without disturbing the installation (refer to Maintenance & Servicing Pg15).

The inlet service fittings also incorporate union type fittings enabling the thermostatic mixing valve to be removed from its installation without disturbing its pipework.

The ENWARE AQUABLEND 2500 Thermostatic Mixing Valve is also available without inlet fittings as an option.

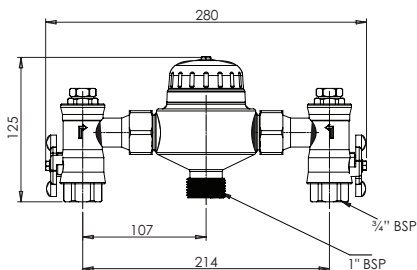


Figure 1.1
AQUABLEND
2500 – CHROME
FINISH
With 3/4" Female
Thread Inlet
Fittings – Dry
Weight 3.0kg
ATM725

Physical Description

Figure 1.2 located below shows a general arrangement drawing of the ENWARE AQUABLEND 2500 Thermostatic Mixing Valve showing the method of operation. Hot and cold water is supplied to each side of the valve respectively. The hot water enters through a port below the piston, the cold water enters above the piston. Upon entry the water begins to blend and enters the mixing tube. At this point the mixed water contacts the thermostatic wax element. The element will extend or contract to match the water temperature it is exposed to causing the piston to move, thereby regulating the amounts of hot and cold water entering the valve. This maintains the mixed water temperature at a constant temperature.

If for instance the inlet hot pressure dropped, the flow of hot water into the valve would be reduced. Therefore the element would see mixed water at a reduced temperature. This would cause the element to contract. This would move the piston downwards as to close off more of the cold port restricting cold flow therefore opening more of the hot port and hence reducing the cold flow rate. This has the effect of the valve attempting to restore itself to its original temperature setting.

Similarly if the hot inlet temperature dropped, the element would again see blended water at a lower temperature and therefore the element would again contract reducing the cold port piston gap and hence supply more hot water and less cold. Once again the valve attempts to restore itself to its original setting. This will occur for all changing conditions including changes to flow rate, inlet temperatures and inlet pressures.

In the event of a sudden loss of the cold water supply the piston will shut off the hot port thus stopping any flow through the valve. The valve will also shut down the cold supply if there is a hot water failure.

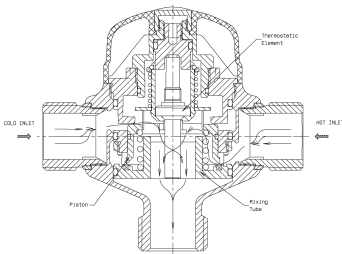


Figure 1.2
General
Arrangement
Drawing

Recommended Pressures & Temperatures

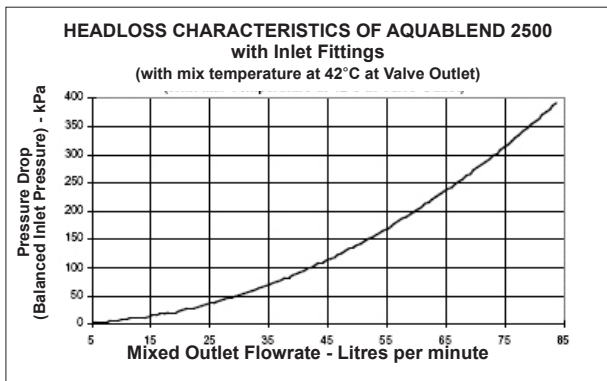
MIXED OUTLET TEMPERATURE		
Temperature Adjustment Range		35°-50°Celsius
INLET TEMPERATURES		
Cold Supply	Minimum	5° Celsius
	Maximum	30° Celsius
Hot Supply	Minimum	55° Celsius
	Maximum	90° Celsius
Hot to Mix Temperatures Differential for Stable Operation	Minimum	10° Celsius
Cold to Mix Temperatures Differential for Stable Operation	Minimum	5° Celsius
FLOW RATES		
To ensure stable outlet conditions	Minimum	6 litres/minute
	Maximum	75 litres/minute @300kPa pressure loss
DYNAMIC INLET PRESSURES		
Hot & Cold Inlet Pressures	Minimum	10kPa
	Maximum	500kPa
STATIC INLET PRESSURES		
Hot & Cold Inlet Pressures	Maximum	1000kPa
INLET PRESSURE RATIO		
Maximum inlet pressure ratio for stable operation. (Hot : Cold or Cold : Hot)		5:1 (either supply)

NOTE: For optimum operation it is recommended that the hot & cold water supply pressures be balanced to within +/- 10%.

Notwithstanding the above, compliance with AS3500 must be maintained.

Flow Sizing Graph

The ENWARE AQUABLEND 2500 Thermostatic Mixing Valve is suitable for many applications. The Headloss Characteristic for Mixed Outlet Flowrate versus Balanced Inlet Pressure is shown Graph 2.1 below. It is important that the valve is not oversized for its intended application.



Graph 2.1 - Headloss Characteristics

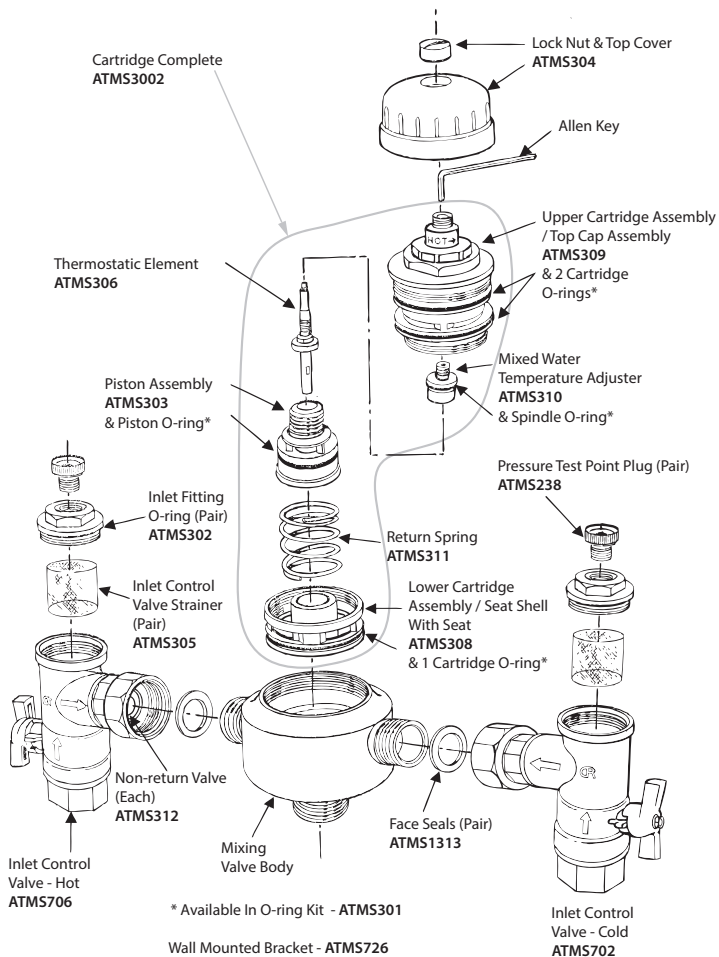
Note: To ensure optimum performance the minimum outlet flow of the mixing valve during operation should be at least 6 litres/minute.

It is important that the valve is sized such that the flow rates from the outlets are not less than those listed in AS3500.1. The pipework between the valve and the system must be sized in accordance with AS3500.1 to ensure the water velocity in the pipework is within allowed limits.

If the valve is to be installed and operated under unequal inlet pressures then it is the lower inlet pressure that will determine the outlet flow rate. However, for optimum performance and stability it is recommended that the valve is installed with balanced dynamic inlet pressures (+/- 10%).

Aquablend 2500 Thermostatic Mixing Valve

Technical Description



Aquablend 2500 Thermostatic Mixing Valve

Installation

The ENWARE AQUABLEND 2500 Thermostatic Mixing Valve should be installed to conform with AS3500, Code of Practice and legislation applicable to each state and following the details outlined in this section.

The ENWARE AQUABLEND 2500 must be installed by a licensed plumber, or where applicable, a licensed plumber who has undertaken T.A.F.E. training in Thermostatic Mixing Valves.

Note: To effectively control microbial hazards during system design, installation, commissioning and maintenance the requirements outlined in AS/NZS3666-2003 and local legislation shall be adhered to.

The inlets on the valve are clearly marked. The **Hot Inlet is indicated by a red identification ring on the inlet and the Cold Inlet by a blue identification ring.**

If the valve is not installed correctly then it will not function correctly and may put the user in danger. It may also void the warranty of the valve.

Prior to the installation of the valve the system must be checked to ensure that the system operating conditions fall within the recommended operating range of the ENWARE AQUABLEND 2500 as detailed in Recommended Pressures & Temperatures Pg 7. If the hot water supply temperature is greater than 90°C the valve may be damaged. A suitable temperature limiting valve must be fitted to the hot water supply, prior to the inlet fittings, if the temperature of the hot water will rise above 90°C. This temperature limiting valve must be installed as per the manufacturers instructions. It is also important that both of the inlet dynamic supply pressures are 500kPa or less. If either supply pressure exceeds 500kPa then a suitable pressure reducing valve must be fitted prior to the inlet control valve to reduce the pressure to an acceptable limit. These pressure reducing valves must be installed as per the manufacturer's instructions. In order to achieve optimum performance from the valve it is recommended that the inlet pressures are balanced to within 10% of each other.

The water quality conditions should be checked to ensure they do not exceed the limits as listed in AS3500, Section 1.6 If they do exceed these limits then it will be necessary to install a water softener or water treatment device.

Aquablend 2500 Thermostatic Mixing Valve

To ensure that the mixing valve operates correctly it is necessary that the pipework is thoroughly flushed with clean water before the valve is installed. This will remove any physical contaminants from the pipework, ensuring trouble-free operation. During the flushing procedure care should be taken to prevent water damage occurring to the surrounding area.

It is required by AS3500.4 that “Each thermostatic mixing valve shall have an isolating stop tap/valve, line strainer & non-return valve fitted to the hot and cold water supply lines”. The inlet fittings supplied with each TMV will ensure this requirement is met. If the ENWARE AQUABLEND 2500 Thermostatic Mixing Valve is to be installed without the supplied inlet control valves then it will be necessary to install a separate isolating valve, non-return valve and strainer to both inlets to the valve. **Strainers must be fitted** to prevent any particulate contamination from entering the valve. These strainers should be 60 Mesh stainless steel. Isolating valves are required so that the water supply to the valve can be isolated in the event that servicing is required. Non-return devices must also be fitted to both the hot and cold inlets to prevent cross-connection.

Ensure that the test plugs in the top of the inlet fittings are tight.

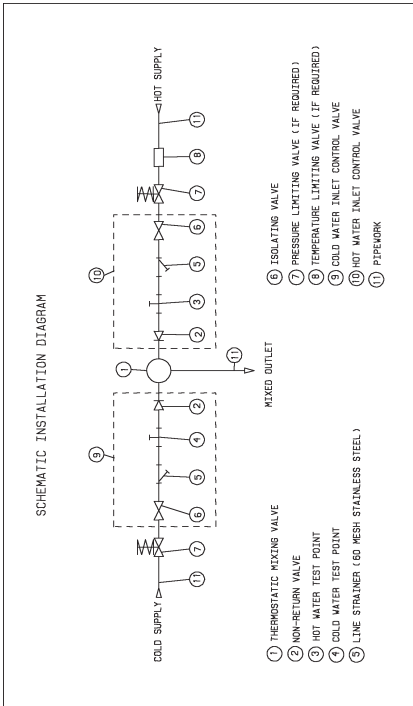
The valve should be installed so it can be accessed easily for maintenance or servicing. The pipework to and from the valve must not be used to support the weight of the valve. Saddle clips or pipe support brackets must be used to mount the inlet control valves and TMV firmly to a wall or rigid support structure. If the inlet control valves are not used then a suitable support bracket or saddle is required to support the weight of the valve. This is to ensure that the pipework is not under load from the valve.

The valve can be installed in a wall cavity, under a basin or on a wall, however it is essential that the mixing valve and inlet fittings are easily accessible for servicing.

During installation or servicing, **heat must not be applied near the mixing valve and inlet fittings during installation or servicing as this will damage the valve and inlet fittings internals.** Failure to comply with this requirement will damage the valve and fittings. It will put the user at risk, and it will void the warranty of the valve.

Aquablend 2500 Thermostatic Mixing Valve

Figure 3.1 Schematic Installation Diagram



Commissioning Of The Valve

Upon completion of the installation, the valve should be tested and commissioned as per the procedure outlined below or as specified by the local authority. The entire procedure should be read through thoroughly prior to the commissioning of the valve. A calibrated digital thermometer having rapid response time with maximum temperature hold, large flat bladed screwdriver and 4mm Allen key (supplied with the Thermostatic Mixing Valve) will be required to check and set the outlet mixed temperature of the valve.

Aquablend 2500 Thermostatic Mixing Valve

- Ensure all outlets that will be serviced by the valve have adequate warning signs posted to ensure that no outlet is used during commissioning.
- Open the cold supply line to the valve, then open the hot supply line, ensuring there are no leaks.
- Open the outlet that is serviced by the shortest length of pipe work between the mixing valve and outlet fixture.
- Allow the mixed outlet to flow for at least 60 seconds to allow the temperature to stabilise before taking a temperature reading at the outlet with a digital thermometer. The flow rate should be at least 6L/min. The flow rate can be checked with the aid of a known size container and a stopwatch. The temperature should be taken at the closest outlet served by the thermostatic mixing valve.
- If the outlet temperature requires adjustment the following steps are required;

Temperature Adjustment

1. Remove the chrome locking nut from the top of the mixing valve. The white cover can then be removed.
2. Insert the supplied 4mm Allen key into the adjusting spindle.

To increase the mixed outlet temperature rotate the spindle anti-clockwise as shown below in Figure 3.2.

To decrease the mixed outlet temperature, rotate the spindle clockwise as shown below in Figure 3.2

The detail of this adjustment is printed on the valve body, underneath the plastic top cover. These details can be accessed by removing the plastic top cover.

3. Allow the mixed outlet temperature to stabilise for 60 seconds and once again take a temperature reading. Repeat the procedure until the desired temperature has been reached.
4. Replace the plastic top cover and fit the chrome locking nut to the top of the valve, ensuring that the locking nut is fastened tightly.
5. Check that the outlet temperature is stable over the full range of flow rates and that the flow rate is adequate for the application.
6. Close the outlet.
7. The mixing valve is now set and locked.

Aquablend 2500 Thermostatic Mixing Valve

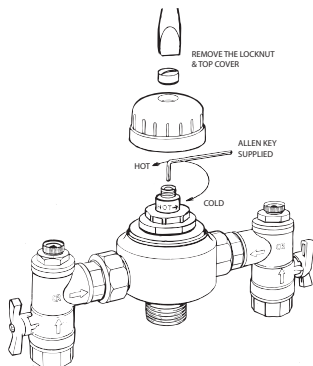


Figure 3.2 Increasing and Decreasing Mixed Water Temperature

Shut Down Test

- Now that the mixing valve has been set & locked it's necessary to perform a shut down check. Allow the mixed water temperature to stabilise & note the outlet temperature. While holding a digital thermometer in the outlet flow, quickly isolate the cold water supply to the valve. The outlet flow should quickly cease flowing. As a rule of thumb the flow should be less than 0.1L/min following the isolation. Monitor maximum outlet flow temperature, & record this on the Commissioning Report (Appendix A). The temperature should not exceed that allowed by the applicable standard or code of practice for each state. Restore the cold water supply to the valve. After the mixed water temperature has stabilised note the outlet temperature ensuring the outlet temperature has re-established.
- Now repeat the above test, except this time quickly isolate the hot water supply to the valve. The outlet flow should quickly slow to a trickle. As a rule of thumb the trickle should typically be less than 0.4L/min@500kPa down to less than 0.1L/min@100kPa following the isolation. Restore the hot water supply to the valve and measure and record the outlet temperature after the mixed water temperature has stabilised ensuring the outlet temperature has re-established.
- Ensure that all details of the Commissioning Report are completed & signed and a copy of this report should be kept with the installer & owner of the premises.
- The valve is now commissioned and it can be used within the technical limits of operation.

Maintenance and Servicing

The ENWARE AQUABLEND 2500 Thermostatic Mixing Valve will only require minimal preventative maintenance work to ensure it operates at its optimum level of performance. The valve should be commissioned and serviced annually, unless the installed conditions dictate more frequent servicing is necessary.

Annual Maintenance Procedure

Every 12 months the ENWARE AQUABLEND 2500 should be serviced and cleaned. The external surface of the valve should be given a light wipedown. The valve & surrounding area should be inspected for leaks or water damage and action taken if required.

The valve is to be disassembled as detailed in Figure 4.1 ,4.2 and 4.3 below. In order to service the valve, an O-ring Kit, Part No. ATMS301 will be required, prior to disassembling the valve.

Ensure a clean dry work area is available. Open the replacement service kit and lay all parts out neatly. Firstly isolate the hot and cold supplies to the mixing valve by closing the inlet ball valves. Remove the inlet fitting top cover with a suitable spanner and then remove the mesh strainer. The strainers should be cleaned with a dilute water solution of suitable descaling solvent (such as CLR), checked for physical damage and then thoroughly rinsed with clean water. The strainers can then be re-installed into the valve, and the top cover replaced and tightened to a maximum torque of 15Nm into the inlet valve bodies.

The non-return cartridges can be cleaned by flushing the inlet service fittings with clean water. This can best be done by removing the valve from the inlet service fittings and flushing

water up the pipework through the inlet fittings and into a bucket or similar, ensuring that the surrounding areas are protected from water damage.

Remove the chrome locking nut from the top of the mixing valve.

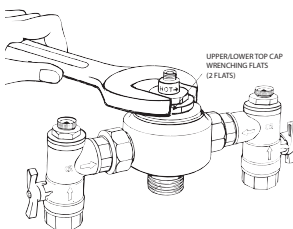


Figure 4.1
Removing the Inlet Strainers

Aquablend 2500 Thermostatic Mixing Valve

Removal of the white plastic cover will expose the mixed water temperature adjuster, a set of octagonal wrenching flats & 2 wrenching flats.

Using the 2 wrenching flats only, undo the cartridge & remove from the valve body, as per Figure 4.2. Thoroughly clean the internals of the valve body using a dilute water solution of suitable descaling solvent and rinse with clean water, taking care to prevent scratching or damaging the O-ring bores.

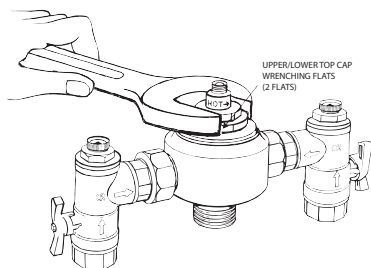


Figure 4.2
Cartridge Removal

Examination of the lower and upper portions of the cartridge will reveal a set of wrenching flats. Using the wrenching flats provided remove the Seat Shell With Seat from the Upper/Lower Top Cap assembly. This is shown below in Figure 4.3.

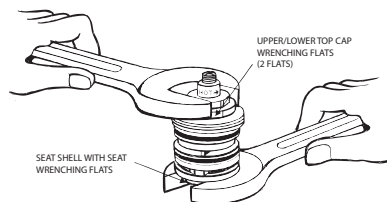


Figure 4.3
Cartridge
Disassembly

Care must be taken when separating these two sections to ensure that parts are not lost or no personal injury occurs as the cartridge is spring loaded. (Safety glasses should be worn during this operation). Remove the piston assembly. During valve servicing it is not necessary to disassemble and separate the piston assembly.

NOTE: Do not disassemble the Upper/Lower Top Cap assembly.

Aquablend 2500 Thermostatic Mixing Valve

Remove the mixed water temperature adjuster mechanism by rotating clockwise. Refer to the exploded view on page 9

Remove the o-ring from the Piston Assembly, the o-ring from the Mixed Water Temperature Adjuster, and the 3 Cartridge o-rings from the Seat Shell and Lower Top Cap.

Cleaning of all parts can be done using descaling fluid. Care must be taken to ensure that the black PTFE coating on the piston, the black rubber seat and thermostatic element are not damaged. The replacement O-rings for the spindle and piston can now be fitted. These are the two smallest O-rings. An O-ring template, facilitating easy identification of the O-rings, is shown below in Figure 4.4.

Adequately grease each O-ring with a potable water approved silicon-based lubricating grease (such as Clare FU-5) before refitting the O-rings. Refit the mixed water temperature adjuster. Place the thermostatic element (The thermostatic element is to be replaced every 5 years) inside the piston assembly and refit into the upper cartridge portion. Place the spring inside the lower portion of the cartridge and screw the upper and lower cartridge parts together. The threads should be started by hand to prevent any chance of cross-threading. Tighten the assembly to a torque of 10 to 15Nm.

CARTRIDGE O-RING



3 OFF

PISTON O-RING



1 OFF

SPINDLE O-RING



1 OFF

Figure 4.4
O-ring Template

The 3 cartridge O-rings can now be fitted, making sure that they are adequately greased with a potable water approved silicon-based lubricating grease (such as Clare FU-5) on each O-ring. The cartridge can then be refitted back into the body and tightened to a torque of 10 to 15Nm.

The valve must then be recommissioned as per Commissioning Of The Valve page 12, including temperature adjustment and the shut down test.

Aquablend 2500 Thermostatic Mixing Valve

Troubleshooting

FAULT / SYMPTOM	CAUSE	RECTIFICATION
<p>The desired mixed water temperature cannot be obtained or valve is difficult to set.</p>	<p>Hot and cold supplies are fitted to the wrong connections</p> <p>Valve contains debris</p> <p>Strainers contain debris</p> <p>Non-return devices are damaged</p> <p>Top Cap and/or Piston O-rings are damaged</p>	<p>Refit the valve with Hot/ Cold supplies fitted to the correct connections</p> <p>Clean the valve ensuring that all debris is removed and components are not damaged</p> <p>Clean strainers ensuring debris is removed</p> <p>Check non-return device is not jammed. Clean it if necessary.</p> <p>Check Top Cap & Piston O-rings for damage. Replace if necessary</p>
<p>The valve will not shut down</p>	<p>The hot to mix temperature differential is not 10°C or greater</p> <p>The piston O-ring is damaged</p> <p>Rubber sealing seat is damaged or fouled by debris</p> <p>Thermostatic element has failed</p>	<p>Raise hot water temperature</p> <p>Replace piston O-ring (ATMS301)</p> <p>Clean seat using mild descaling solution</p> <p>Replace element (ATMS306)</p>
<p>Mix temperature unstable</p>	<p>Debris is fouling valve</p> <p>Flow rate below 6L/min.</p> <p>Strainers are fouled</p>	<p>Clean the valve ensuring that all debris is removed and components are not damaged</p> <p>Rectify any pressure deterioration</p> <p>Clean strainers</p>
<p>Mix temperature changing over time</p>	<p>Inlet conditions (pressures or temperatures) are fluctuating</p> <p>Strainers contain debris</p>	<p>Install suitable pressure control valves to ensure inlet conditions are within those stated in Section 5</p> <p>Clean strainers ensuring debris is removed</p>

Aquablend 2500 Thermostatic Mixing Valve

FAULT / SYMPTOM	CAUSE	RECTIFICATION
Either full hot or cold flowing from outlet fixture	Valve is incorrectly set Hot/Cold water has migrated to other inlet Refer also to fault/symptom 1 & 2	Adjust mix temperature between 35 - 50°C as required Replace faulty nonreturn valves (ATMS312)
No flow from the valve outlet	Hot or cold water failure Strainers are fouled	Valve functioning correctly. Restore inlet supplies and check mix temperature Clean strainers
Flow rate reduced or fluctuating	Valve or inlet fittings fouled by debris Dynamic inlet pressures are not within recommended limits	Check valve and inlet fittings for blockages Ensure operating conditions are within specified limits & dynamic inlet pressures are nominally balanced to within +/- 10%.
Mixed water temperature too hot or cold	Valve has been tampered with Valve incorrectly set Inlet temperatures are not within specified limits	Readjust valve to required set temperature Readjust valve to required set temperature Ensure inlet temperatures are within the specified limits as listed in Section 5
Warm water temperature doesn't change when temp. adjuster is altered	Return spring is missing Thermostatic element has failed	Install return spring (ATMS311) Replace thermostatic element (ATMS306)
Warm water temperature adjuster difficult to move	Adjuster at maximum mix temperature stop Valve piston into overstroke	Mixed water is at maximum temperature. No higher mix temperature adjustment is available Wind adjuster out until set temperature required is achieved

Aquablend 2500 Thermostatic Mixing Valve

FAULT / SYMPTOM	CAUSE	RECTIFICATION
Hot water flows into the cold water system or vice versa.	Non-return valves.	Replace non-return valves (ATMS312).
Valve is noisy.	Water velocity above velocity requirements of AS3500.1, 3.4	Reduce water velocity.

Spare Parts

PART	REPLACEMENT	PART No.
Cartridge	As required	ATMS3002
O-Ring Kit -3 cartridge,1 spindle,1 piston	12 monthly	ATMS301
Inlet Fitting O-rings (Pair)	As required	ATMS302
Piston Assembly	As required	ATMS303
Anti-Tamper Top Cover & Locknut	As required	ATMS304
Inlet Fitting Strainers	As required	ATMS305
Thermostatic Element	5 yearly	ATMS306
Lower Cartridge Assembly (Seat Shell with Seat/Hot Seat)	As required	ATMS308
Upper Cartridge Assembly	As required	ATMS309
Mixed Water Temperature Adjuster	As required	ATMS310
Return Spring	As required	ATMS311
Non-Return Valve (each)	As required	ATMS312
Face Seals (pair)	As required	ATMS1313
Pressure Test Point Plug with O-ring (pair)	As required	ATMS238
Inlet Fitting (Hot)	As required	ATMS706
Inlet Fitting (Cold)	As required	ATMS702
Non-Return Valve (each)	As required	ATMS312
Pressure Test Point Plug with O-ring (Pair)	As required	ATMS238
Pressure Test Point Plug with Washer (each) - Old Style	As required	ATMS1314
Test Point Washer - Old Style	As required	ATMS1204
Inlet Cap to Suit Test Point Plug with O-ring	As required	ATMS245
Wall Mounted Bracket	As required	ATMS726

Aquablend 2500 Thermostatic Mixing Valve

Enware Thermostatic Mixing Valve Commissioning Report For Thermostatic Mixing Valves

use a separate sheet for each valve

Establishment					
Address					
Phone No		Contact			
Date		Work Order No.			
Make & Model of Hot Water Unit					
Hot Water	Pressure	kPa	Cold Water	Pressure	kPa
	Temp	°C		Temp	°C
Cold Water Supply via			Pressure Reducing Valve Fitted	YES/NO	
Make of Mixing Valve			Model No		
			Size		
Valve Location / Building					
Valve ID No.			Total No. of Mixing Valves on Site/ Building		
Total No. of outlets served by this valve	Baths		Basins	Showers	
Other outlet details					
Valve installed to requirements of					
The drawing & specification	The valve manufacture /supplier	The code of TMV's	The local water supply authority		
YES/NO	YES/NO	YES/NO	YES/NO		
If NO, give details and action taken					

Aquablend 2500 Thermostatic Mixing Valve

Test results (complete table on following page)		
Valve considered satisfactory for use	YES/NO	
If NO, state reason and action taken		
It is hereby certified that all the commissioning work has been carried out by the undersigned in accordance with local plumbing requirements for Thermostatic Mixing Valves		
Date initial service due:		(Maximum 12 months use)
Valve commissioned by:		
Signature Licensed Plumber		Lic/Cert No
Business name of Plumbing Contractor		
Contractors Authority No		Date

NOTE: A duplicate copy of this report is to be retained at the site for any inspection by authorised persons.

The following information is to be provided by site manager/owner:

Valve size and installation recommended by (name)		
Valve supplied by (name)		
Valve installed by (name)		
Date of installation:	Drawing No:	
Certificate of Compliance/Inspection No:	Dated:	
Service manual on site: YES/NO		
Report received by (name)		
Position		
Signature		Date:
For and on behalf of the client/site manager/owner		

Aquablend 2500 Thermostatic Mixing Valve

Test results

Valve location/building	
Room or area designation	
Work Order No	

Warm water outlet fixture No.	Name/type/size & location of outlet fixture (bath, shower, basin or other)	Flow rate of design warm water (L/sec)		Temp of warm water °C	
		1 outlet in use	** All req. outlets in use	1 outlet in use	** All req. outlets in use
1.					
2.					
3.					
4.					
5.					
6.					
7.					
8.					

Give details of brand and model designation. Commensurate with the design flow rate for the mixing valve.

NOTE: An accurate digital type thermometer is necessary for the temperature measurements.

Prescribed temperature range for warm water	°C to °C
Fail safe at both minimum and maximum design flow rates	PASSED/FAILED
Signature of licensed plumber	
Licence/Cert No	
Business name of plumbing contractor	
Contractor's authority No:	Date:

Aquablend 2500 Thermostatic Mixing Valve

Enware Thermostatic Mixing Valve Servicing Report For Thermostatic Mixing Valves

use a separate sheet for each valve

Establishment			
Address			
Phone No		Contact	
Date		Work Order No.	
Make & Model of Hot Water Unit			
Mixing Valve Make:	Model No:		
	Size		
Valve Location / Building			
Valve ID No.		Total No. of Mixing Valves on Site/ Building	
Total No. of outlets served by this valve	Baths	Basins	Showers
Other outlet details			

Valve installed to requirements of:

The drawing & specification	The code of TMV's	The code of TMV's	The local water supply authority
YES/NO	YES/NO	YES/NO	YES/NO
If NO, give details and action taken			
Any current complaints concerning installation or operation reported or stated in previous report If YES, give details:			YES/NO
Particulars of service work carried out during this visit			
List of items replaced (and part numbers) during this visit:			
Warm water temp. at outlet °C		Fail Safe Test	PASSED / FAILED
Valve considered satisfactory for further use			YES/NO
If NO, reason and action taken:			
Date next service due (12 months maximum):			

Aquablend 2500 Thermostatic Mixing Valve

It is hereby certified that all the commissioning work has been carried out by the undersigned in accordance with local plumbing requirements for Thermostatic Mixing Valves		
Signature Licensed Plumber		Lic/Cert No
Business name of Plumbing Contractor		
Contractors Authority No		Date

NOTE: A duplicate copy of this report is to be retained at the site for any inspection by authorised persons.

The following information is to be provided by site manager/owner:

Valve size and installation recommended by (name)		
Valve supplied by (name)		
Valve installed by (name)		
Date of installation:	Drawing No:	
Certificate of Compliance/Inspection No:	Dated:	
Service manual on site: YES/NO		
Report received by (name)		
Position		
Signature		Date:

For and on behalf of the client/site manager/owner



ADDRESS: 9 Endeavour Road, Caringbah NSW 2229 Australia

POSTAL ADDRESS: P.O. Box 2545, Taren Point NSW 2229 Australia

PHONE: 61 2 8536 4000 **FAX:** 61 2 8556 4066

1300 369 273 (AUS) WWW.ENWARE.COM.AU INFO@ENWARE.COM.AU



Global-Mark.com.au®