

A

B

C

D

1

1

2

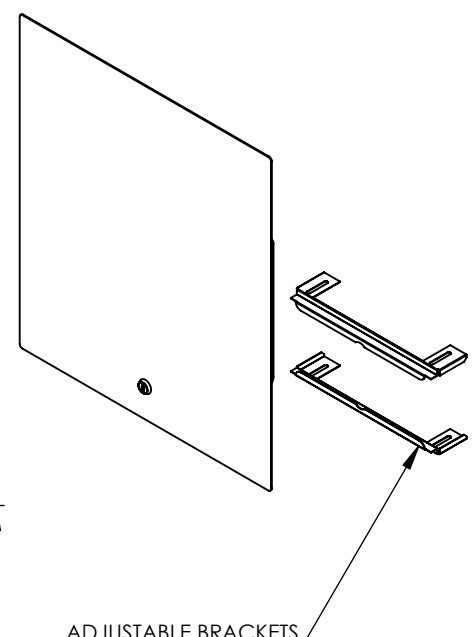
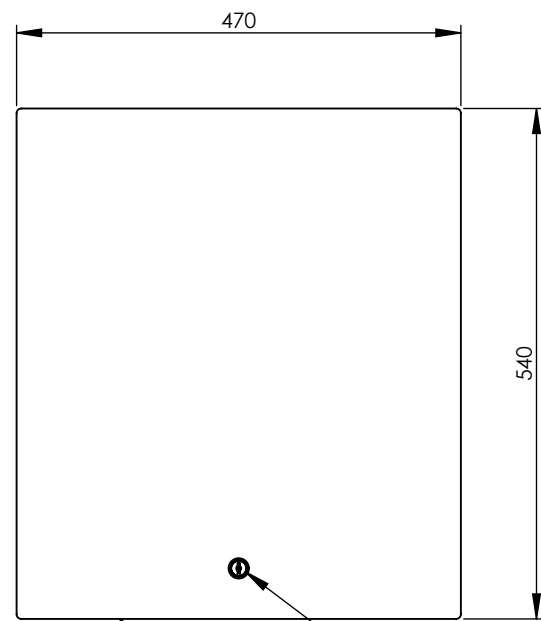
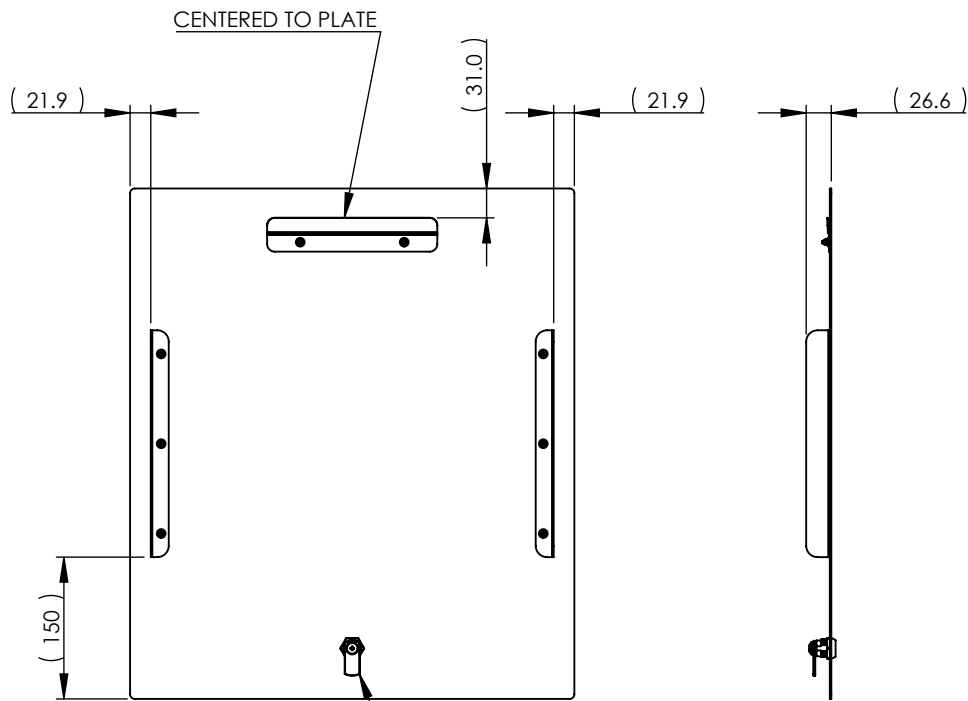
2

3

3

4

4



ADJUSTABLE BRACKETS

MATERIAL: 304 SS



**GENERAL NOTES:**  
 - DIMENSIONS ARE IN mm's  
 - DO NOT SCALE OFF DIMENSIONS  
 - TAPWARE TOLERANCE / 2 (EXCEPT WHERE STATED )  
 - SAFETY SANITARY AND CARE TOLERANCE / 5 (EXCEPT WHERE STATED )

This drawing is the property of Enware Australia Pty Ltd and may not be reproduced in full or part without the written consent of Enware Australia.

|          |    |
|----------|----|
| DRAWN    | AK |
| CHECKED  | AK |
| APPROVED | LR |

9 Endeavour Rd,  
Caringbah, NSW, 2229  
Ph. +61 2 8536 4000  
Email: info@enware.com.au

|                |                                       |        |     |
|----------------|---------------------------------------|--------|-----|
| DRAWING NUMBER | ATMSRL-430                            | REV    | A.0 |
| DESCRIPTION    | LID-RECESSED ASSY TO SUIT 430X500 CAB |        |     |
| FINISH:        | SIZE: A4                              | SCALE: | 1:8 |

A

B

C

D