

A

B

C

D

1

1

2

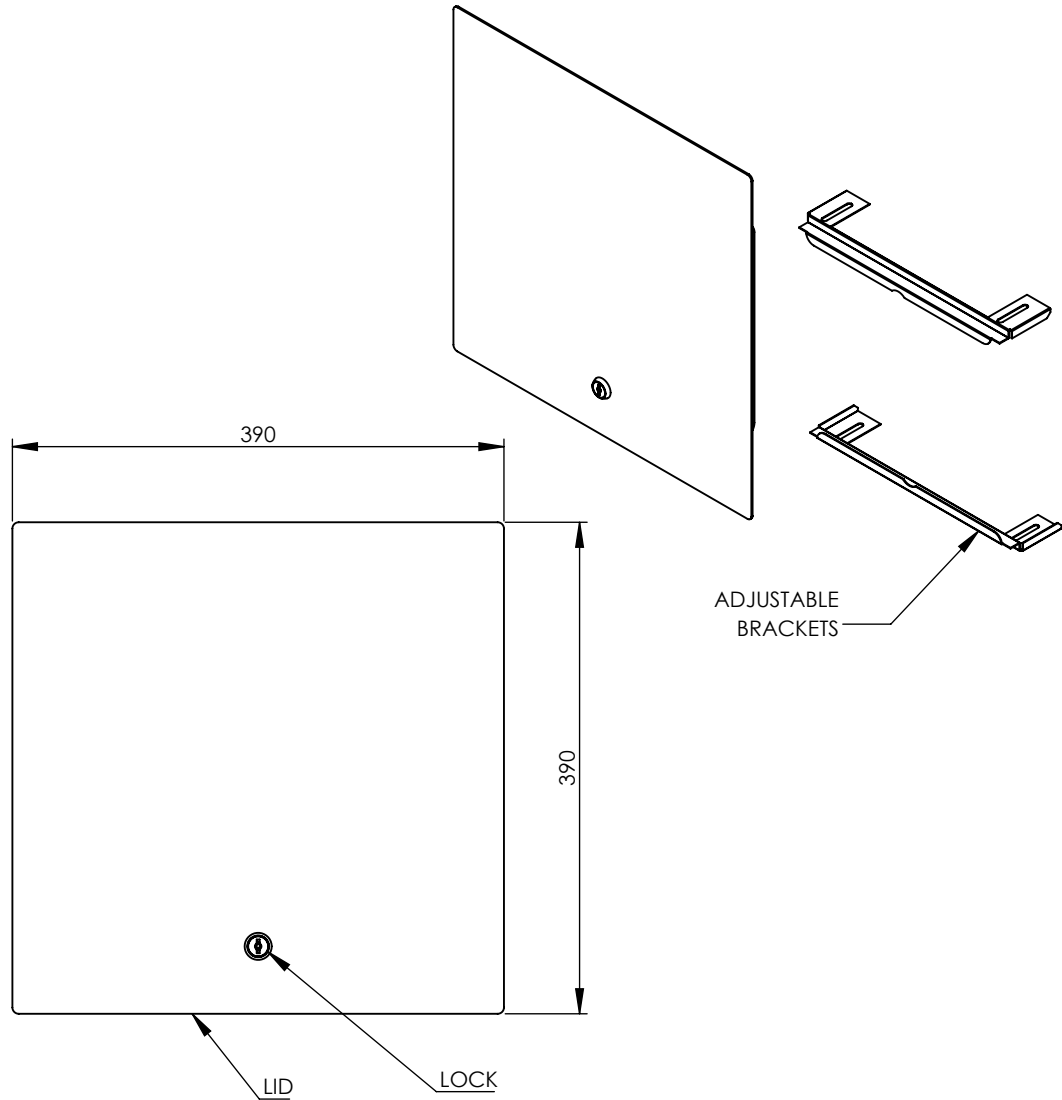
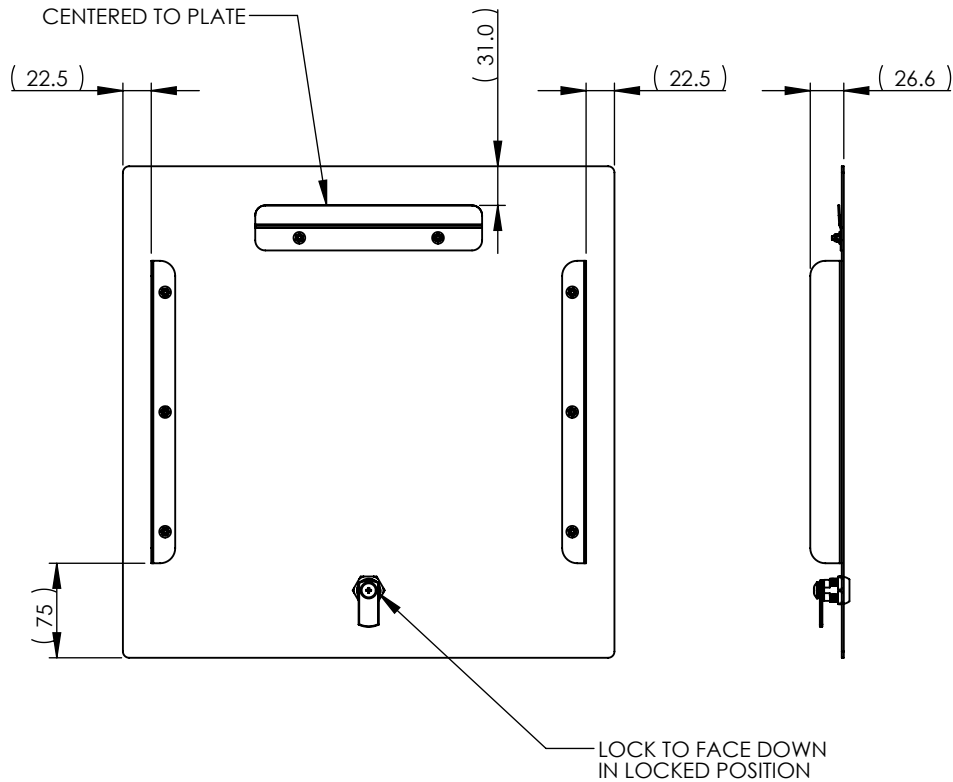
2

3

3

4

4



MATERIAL: 304 SS



GENERAL NOTES:
 - DIMENSIONS ARE IN mm's
 - DO NOT SCALE OFF DIMENSIONS
 - TAPWARE TOLERANCE / 2 (EXCEPT WHERE STATED)
 - SAFETY SANITARY AND CARE TOLERANCE / 5 (EXCEPT WHERE STATED)

This drawing is the property of Enware Australia Pty Ltd and may not be reproduced in full or part without the written consent of Enware Australia.

DRAWN	TD
CHECKED	AK
APPROVED	LR

ENWARE
 9 Endeavour Rd, Caringbah, NSW, 2229
 Ph. +61 2 8536 4000
 Email: info@enware.com.au

DRAWING NUMBER	ATMSRL-350	REV	A.0
DESCRIPTION	LID-RECESSED ASSY TO SUIT 350X350 CAB		
FINISH:	SIZE: A4	SCALE:	1:6

A

B

C

D