

A

B

C

D

1

2

3

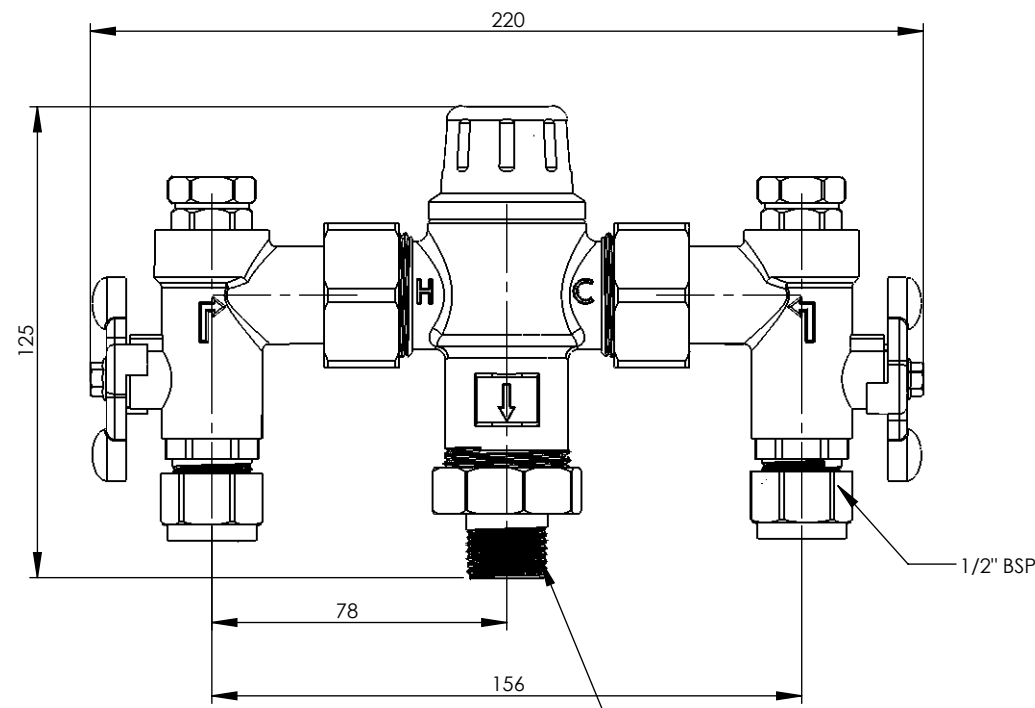
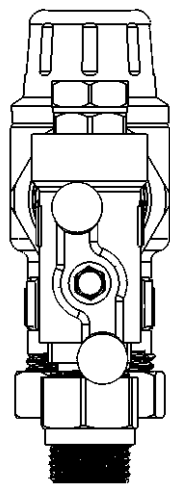
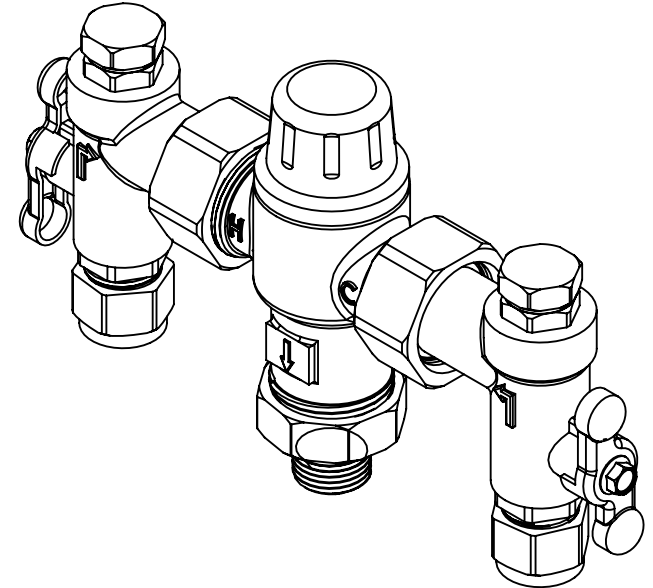
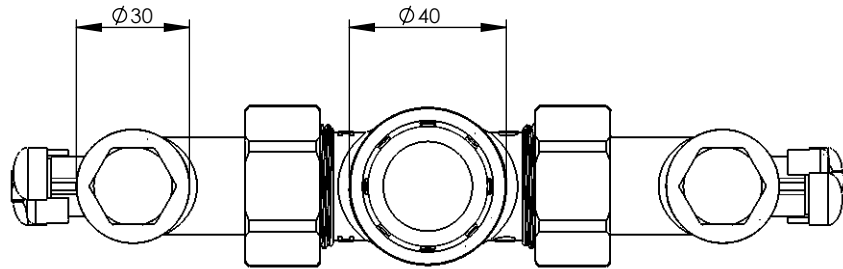
4

1

2

3

4



1" STANDARD  
3/4" OR 1/2" BSP ADAPTORS SUPPLIED

1/2" BSP

**Quality Endorsed Company**  
AS/NZS ISO 9001  
LIC No. 1213  
Standards Australia  
ENWARE RESERVES THE RIGHT TO AMEND PRODUCT SPECIFICATIONS AND DESIGNS WITHOUT NOTICE

**GENERAL NOTES:**  
- DIMENSIONS ARE IN mm's  
- DO NOT SCALE OFF DIMENSIONS  
- TAPWARE TOLERANCE  $\pm 2$  (EXCEPT WHERE STATED )  
- SAFETY SANITARY AND CARE TOLERANCE  $\pm 5$  (EXCEPT WHERE STATED )

This drawing is the property of Enware Australia Pty Ltd and may not be reproduced in full or part without the written consent of Enware Australia.

DRAWN	AC
CHECKED	YK
APPROVED	AC



9 Endeavour Rd,  
Caringbah, NSW, 2229  
Ph. +61 2 8536 4000  
Fax. +61 2 8556 4055

DRAWING NUMBER: **ATM700**

REV **A.00**

TITLE:  
**AQUABLEND 1500 TMV C/W 1/2 IN MALE INLET**

FINISH: . .

SIZE: A4 SCALE: 1:2

A

B

C

D