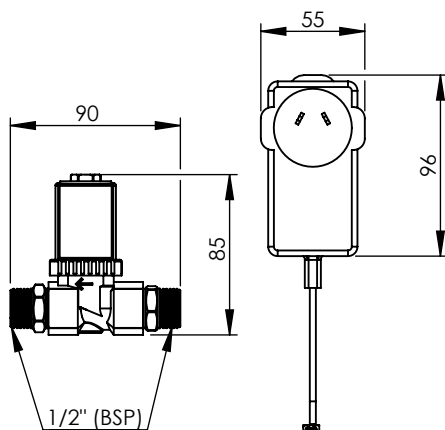
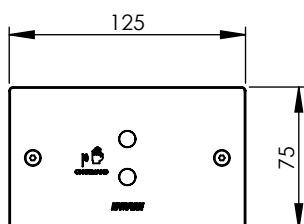
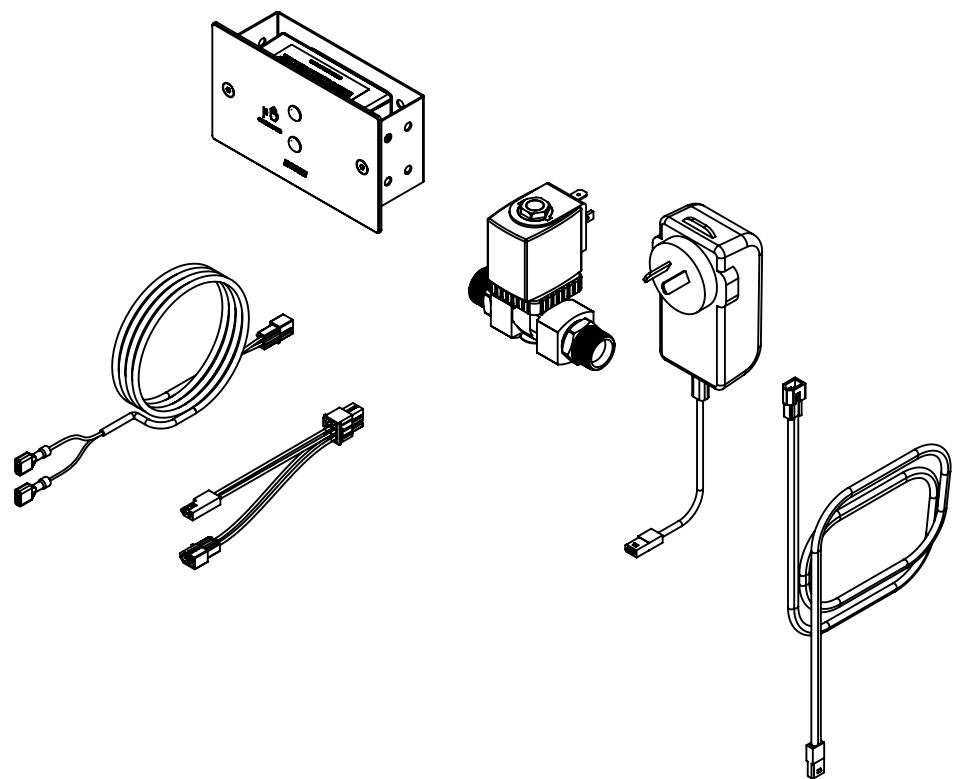
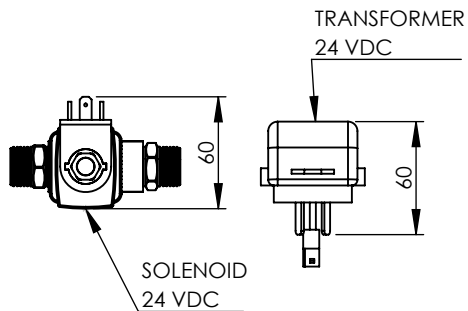
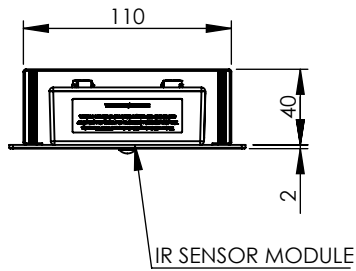


A

B

C

D



**NOTES:-**

1. ON/OFF DEMAND SENSOR
2. SENSOR RUNOUT TIME: 45 SECONDS (WHEN LEFT ACTIVATED)
3. SENSOR RANGE: 20 - 100 mm



ENWARE RESERVES THE RIGHT TO AMMEND PRODUCT SPECIFICATIONS AND DESIGNS WITHOUT NOTICE

**GENERAL NOTES:**

- DIMENSIONS ARE IN mm's
- DO NOT SCALE OFF DIMENSIONS
- TAPWARE TOLERANCE / 2 (EXCEPT WHERE STATED )
- SAFETY SANITARY AND CARE TOLERANCE / 5 (EXCEPT WHERE STATED )

This drawing is the property of Enware Australia Pty Ltd and may not be reproduced in full or part without the written consent of Enware Australia.

DRAWN	RA
CHECKED	AK
APPROVED	RA



9 Endeavour Rd, Caringbah, NSW, 2229 Ph. +61 2 8536 4000 Email: info@enware.com.au

DRAWING NUMBER: EMW803A-LO		REV: B.0
DESCRIPTION: ON/OFF DEMAND SENSOR TAP - NO SPOUT		
FINISH:	SIZE: A4	SCALE: 1:4

A

B

C

D

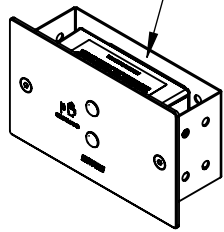
A

B

C

D

CABLE EXTENSION TO TRANSFORMER  
4.5 m LONG



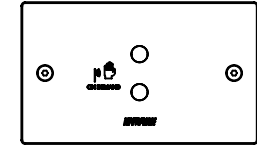
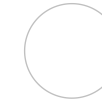
IR SENSOR MODULE

24 VDC TRANSFORMER



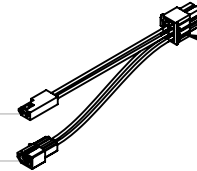
100 mm LONG

SPOUT



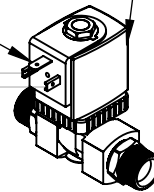
SENSOR ADJACENT OR ABOVE SPOUT  
(DO NOT PUT SENSOR UNDER SPOUT)

CABLE CONNECT TO  
IR SENSOR MODULE  
100 mm LONG

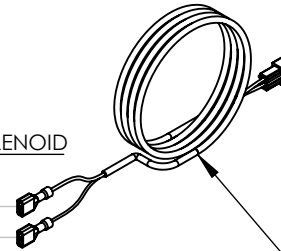


24 VDC SOLENOID

FOR GROUND



CABLE CONNECT  
TO SOLENOID, 3 m LONG



**GENERAL NOTES:**

- DIMENSIONS ARE IN mm's
- DO NOT SCALE OFF DIMENSIONS
- TAPWARE TOLERANCE / 2 (EXCEPT WHERE STATED )
- SAFETY SANITARY AND CARE TOLERANCE / 5 (EXCEPT WHERE STATED )

This drawing is the property of Enware Australia Pty Ltd and may not be reproduced in full or part without the written consent of Enware Australia.

DRAWN	RA
CHECKED	AK
APPROVED	RA



9 Endeavour Rd, Caringbah, NSW, 2229 Ph. +61 2 8536 4000 Email: info@enware.com.au

DRAWING NUMBER: EMW803A-LO REV: B.0

DESCRIPTION:  
ON/OFF DEMAND SENSOR TAP - NO SPOUT

FINISH: SIZE: A4 SCALE: 1:4

A

B

C

D

1

1

2

2

3

3

4

4