

# Wall Mounted Button Action Bottle Filler - Compact

## BUB268B

### Refill and Refresh

It goes without saying that water is essential to our health and wellbeing and super important to keep our children well hydrated while at school.

Encouraging good hydration habits means students need to have easy access to drinking water. Enware's range of bottle fillers are an easy way for school children to refill water bottles regularly throughout the day.

### FEATURES

- Space saving design - suitable for slimline troughs and bottle filling stations
- Robust design - chrome plated brass body
- Vandal resistant design: Push button designed to be removed using a hand tool only
- Push button activation
- Self-closing mechanism
- Valve has been designed for the rigours of daily use
- 5lpm Aerator



### Product Codes

**BUB268B** Compact Wall Mounted Bottle Filler - Button Action

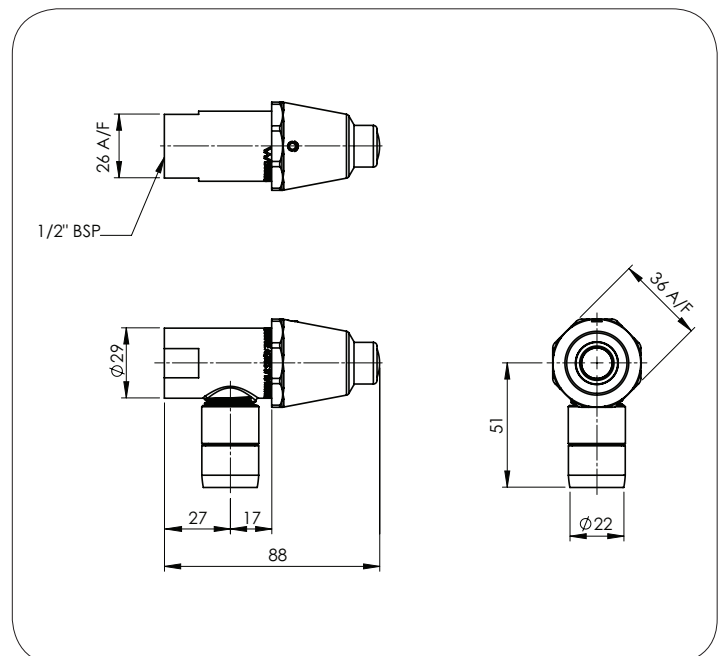
### Technical Information

Inlet Connection	1/2" BSP (15mm)
Operating Working Pressure *	50 - 500 kPa
Flow Rate	5 l/m
Recommended Temperature Range	5 - 30 °C
Operating Temperature Range	0 - 50 °C *

\* Enware products are to be installed in accordance with the Plumbing Code of Australia and AS/NZS3500.

Reference should also be made to the Australasian Health facility Guidelines (AHFG), ABCB and Local Government regulations when considering the choice of, and the installation of these products.

NOTE: Enware Australia advises: 1. Due to ongoing Research and Development, specifications may change without notice. 2. Component specifications may change on some export models.



Version: Jul 20

Call 1300 369 273  
[www.enware.com.au](http://www.enware.com.au)

Enware Australia Pty Limited  
9 Endeavour Rd Caringbah NSW 2229 Australia  
Ph: 02 8536 4000 [info@enware.com.au](mailto:info@enware.com.au)

