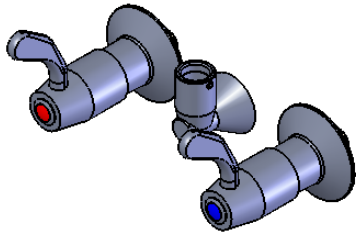
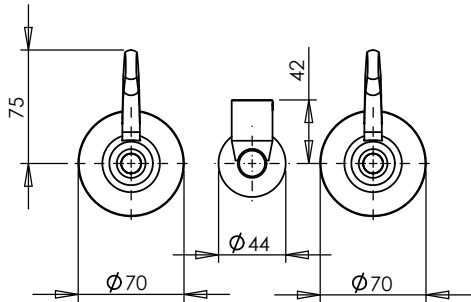
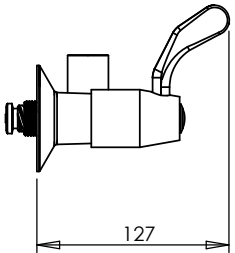
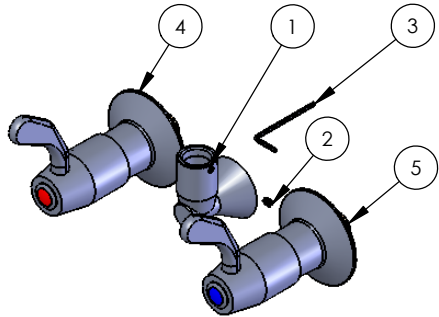
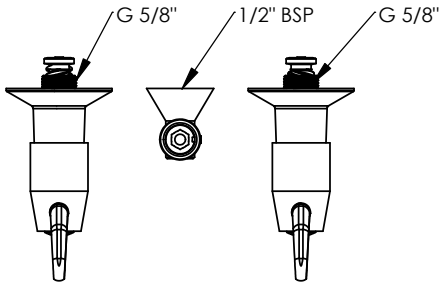


| ITEM NO. | PART NUMBER | DESCRIPTION | Default/QTY. |
|----------|-------------|------------------------------|--------------|
| 1 | 880620 | WALL MOUNT-SWIVEL | 1 |
| 2 | 672453 | SCREW - GRUB M5 DOG POINT | 1 |
| 3 | 672015 | ALLEN KEY (3/32) INCH | 1 |
| 4 | 790436 | REC.T/ASSY EXPO LVR(COLD)JHS | 1 |
| 5 | 790435 | REC.T/ASSY EXPO LVR(COLD)JHS | 1 |



| REV | DATE | CN | AMMENDMENTS | APP |
|-----|---------|----|------------------|-----|
| A | 30/6/05 | | | |
| B | 11/8/06 | | REDRAWN IN SOLID | |
| | | | | |
| | | | | |
| | | | | |

GENERAL NOTES:
 REMOVE ALL BURRS AND SHARP EDGES UNLESS OTHERWISE STATED
 DIMENSIONS ARE IN mm's

TOLERANCE EXCEPT WHERE STATED:

NO DECIMAL POINT ∕ 0.2
 ONE DECIMAL PLACE ∕ 0.1
 TWO DECIMAL PLACES ∕ 0.05
 ANGLES ∕ 1

| | | | | |
|---|----|--|-------------------------|--------------|
| DRAWN | AC | 9 Endeavour Rd, Caringbah, NSW, 2229 Ph. 61-2-9525-9511 Fax. 61-2-9524-8421 | | |
| CHECKED | | | | |
| APPROVED | | | | |
| TITLE: WALL CONCEALED MIXER BASE | | | | |
| Scale: Not To Scale | | | | |
| MATERIAL: | | | | |
| FINISH: | | | | |
| This drawing is the Copyright of Enware Australia Pty Ltd and may not be reproduced in full or part without the written consent of Enware Australia Pty Ltd | | | DWG NO. FS023 | SHEET 1 OF 1 |