

A

B

C

D

1

2

3

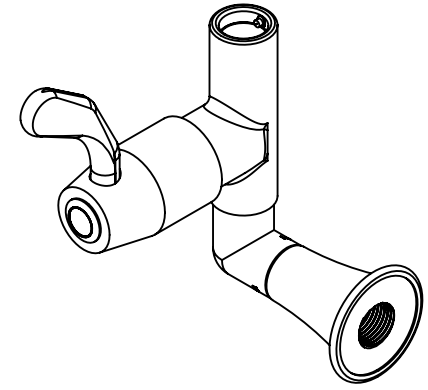
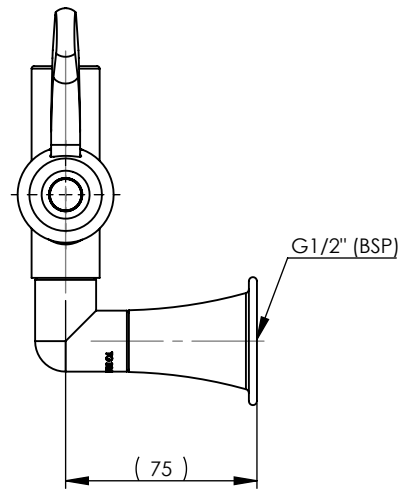
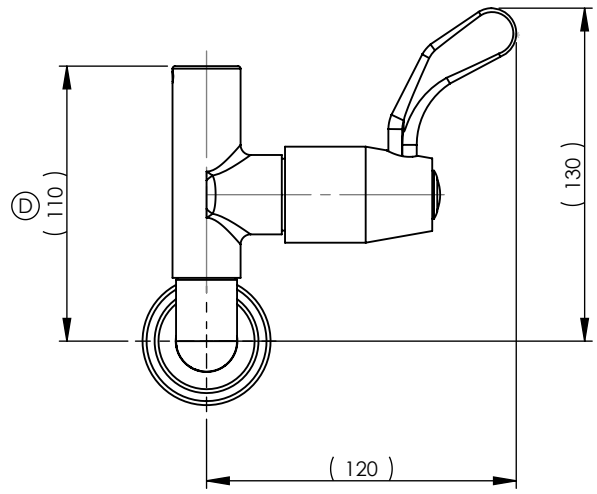
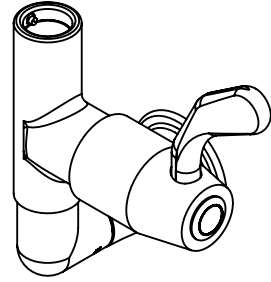
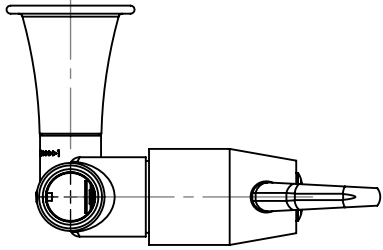
4

1

2

3

4



REVISION

REV.	DATE	ECN	DESCRIPTION	MODIFIED BY
A	30/06/05		FIRST ISSUE	
B	11/08/06		REDRAWN IN SOLIDWORKS	AC
C	1/03/10		115 ADDED	SM
D	17/11/14	4512	110 WAS 115	YK

GENERAL NOTES:
 - REMOVE ALL BURRS AND SHARP EDGES UNLESS OTHERWISE STATED
 - ALL THREADS TO BE CHAMFERED
 - DIMENSIONS ARE IN mm's
 - DO NOT SCALE OFF DIMENSIONS

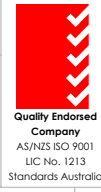
TOLERANCE EXCEPT WHERE STATED:
 NO DECIMAL POINT ± 0.2
 ONE DECIMAL PLACE ± 0.1
 ANGLES $\pm 1^\circ$

ENWARE RESERVES THE RIGHT TO AMMEND PRODUCT SPECIFICATIONS AND DESIGNS WITHOUT NOTICE

DRAWN	AC
CHECKED	CL
APPROVED	LR



This drawing is the property of Enware Australia Pty Ltd and may not be reproduced in full or part without the written consent of Enware Australia.



9 Endeavour Rd,
 Caringbah, NSW, 2229
 Ph. 61-2-9525-9511
 Fax. 61-2-9524-8421

TITLE
WALL PRE-MIX SINGLE BASE

DRAWING NUMBER: **FS021**

FINISH: CHROME PLATED

SIZE: A4

SCALE: 1:3

SHEET: 1 OF 2

A

B

C

D