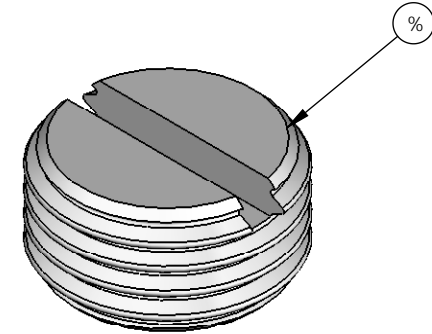
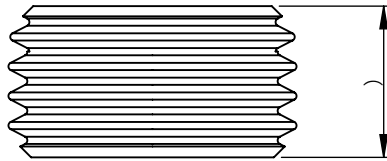
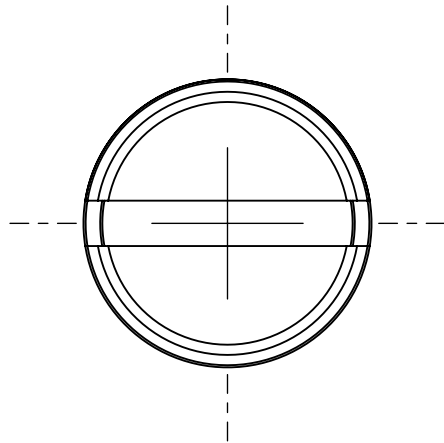


#BA BC"	D5FHBI A 69F	89G7 F-DHC B	E HM
%	, - ' ) %	G7 F9K ! ' # : B7 < F9. I @5HC F	%



F9J	85H9	7 B	5A A 9B8A 9BHG	5 DD
5	%8G#%\$#\$*		: FGH-6G 9	

: 9B9F5@BCH9G  
 : F9A C J 95@6l FFG5B8  
 : G-5FD98: 9GI B@GG  
 : C H:9FK @9GH5H98  
 : 8A 9BGC BG5F9-B a a @  
 HC @F5B799L7 9DHK <9F9GH5H98:  
 BC 897 A 5@DC -BH"..... / " \$"&  
 C B9897 A 5@D@579..... / " \$"%  
 HK C 897 A 5@D@579G..... / " \$"\$)  
 5B: @G..... / "%  
 9BK 5F9F99FJ 9GH:9F@ <HC 5A 9B8 DFC 8I 7H  
 Q97 @ 75HC BG5B8 89@ BGK #C I HBC H7 9

8F5K B	?B	- 9bXYUj ci fFXZ	
7 <97 798	PK	7 Ufjpb[ VU\ZBGK Z&&&- D\ "" *9&I-) & ) I-) %%% : UI "" *9&I-) & (!, ( &%	
5DDFC J 98			

HH@: 6l 66@F F9, I @5HC F G7 F9K  
 GW.Y. BchH: GW.Y  
 A 5H9F 5@  
 : B G<.  
 H jgXfUk bl jghY 7 cdfj\ hcZ  
 9bk UY 5i gfu jU Dtm@X UbX a Um  
 bc hVY fY dFCXl WwX jz a cfdUth  
 k hci hAY k fHY b Vebg/bhcZ  
 9bk UY 5i gfu jU Dtm@X

8K : BC"  
 G< 99H% C : %  
**6l 6&) +**