

780.004.020.00 HYGIENICPRO SAND BUCKET MEDIUM

-Stainless steel: AISI304/EN1.4301

Product Codes

UPC/EAN: 5705499138764

VVS Number: 164130312

RSK Number: 7129549

NRF Number: 3396631

LVI Number: 3305831

Specification

Brand Name: BLÜCHER

Material: AISI 304

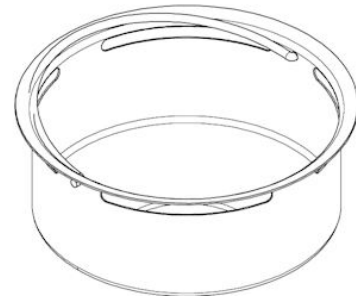
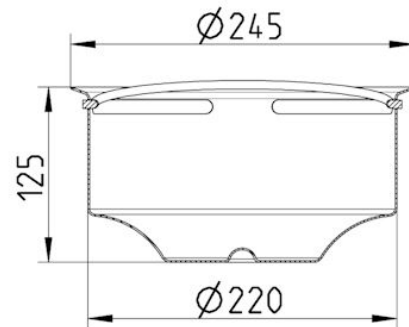
Material (EN): EN 1.4301

Minimum Height (mm): 125

Series: Sand bucket

Type: Other products

Weight (kg): 1,03



BLÜCHER®

A WATTS Brand