

Specification Sheet

525.180.160 S S-TRAP 180°

- Diameter: Ø160MM
- Water seal height = 105mm
- Stainless steel: AISI316L/EN1.4404

Product Codes

UPC/EAN: 5705499114126

VVS Number:

RSK Number:

NRF Number:

LVI Number:

Specification

Brand Name: BLÜCHER

Material: AISI 316L

Material (EN): EN 1.4404

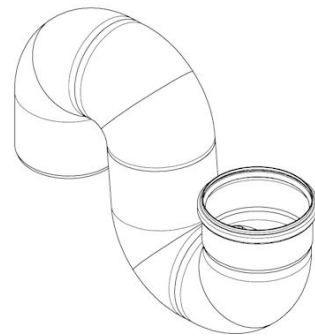
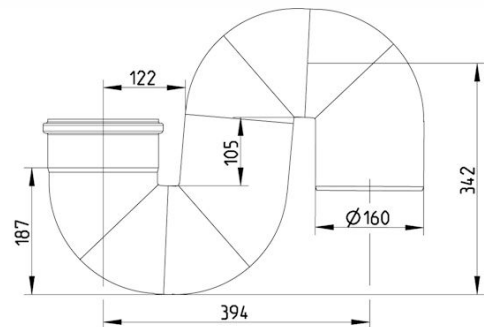
Outlet Diameter (mm): 160

Series: Water trap-S

Type: Traps

Water Seal Height (mm): 105

Weight (kg): 4,40



BLÜCHER®

A WATTS Brand