

790.218.000.28 LADDER GRATING SQUARE

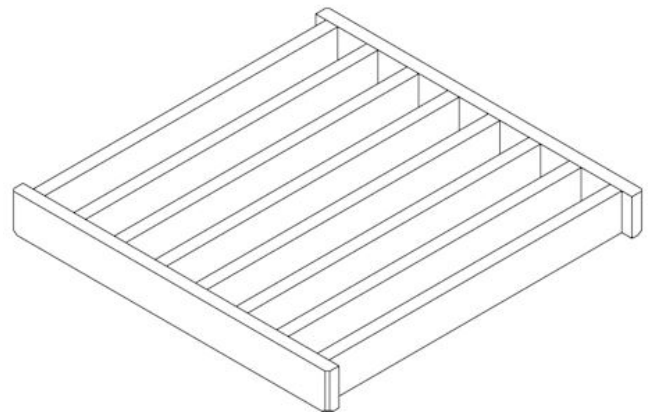
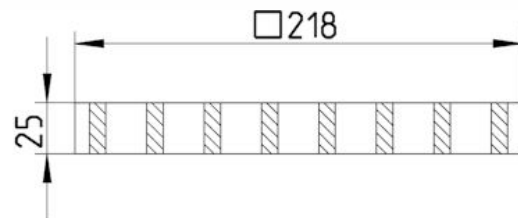
- 8mm material, fully welded
- Grating: 218x218mm
- Stainless steel: AISI304/EN1.4301

Product Codes

UPC/EAN: 5705499128604
VVS Number:
RSK Number:
NRF Number:
LVI Number:

Specification

Brand Name: BLÜCHER
Load Class EN1253 (kg): R50 (6.000)
Load Class EN1433 (kg): B125 (8.400)
Material: AISI 304
Material (EN): EN 1.4301
Minimum Height (mm): 25
Non-slip: R11
Number of Screws: 0
Series: Grating-Drain-250
Shape: Square
Size: 250x250
Type: Gratings
Weight (kg): 2,83



BLÜCHER®

A WATTS Brand