

774.702.000 UPPER PART

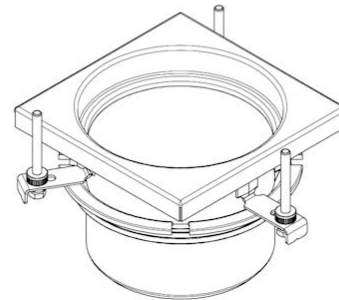
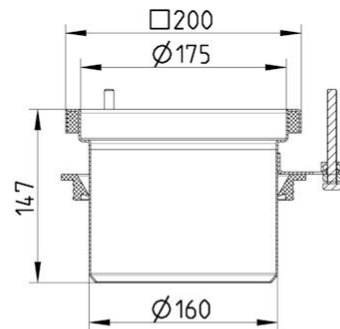
- Floor: concrete and tiled
- Frame: 200x200mm for round grating
- Stainless steel: AISI304/EN1.4301

Product Codes

UPC/EAN: 5705499138702
VVS Number: 153018519
RSK Number:
NRF Number:
LVI Number:

Specification

Brand Name: BLÜCHER
Floor: Concrete/tiled
Material: AISI 304
Material (EN): EN 1.4301
Minimum Height (mm): 147
Number of Screw Holes: 0
Outlet Diameter (mm): 160
Series: Upper part-No membrane-200
Shape: Square
Weight (kg): 3,71



BLÜCHER®

A WATTS Brand