

## 774.452.000 S GASTIGHT UPPER PART

- For vacuum handle
- Floor: concrete and tiled
- Frame: 200x200mm
- Stainless steel: AISI316L/EN1.4404

### Product Codes

UPC/EAN: 5705499115789

VVS Number:

RSK Number:

NRF Number:

LVI Number: 3304002

### Specification

Brand Name: BLÜCHER

Floor: Concrete/tiled

Load Class EN1253 (kg): N250 (20.000)

Material: AISI 316L

Material (EN): EN 1.4404

Minimum Height (mm): 147

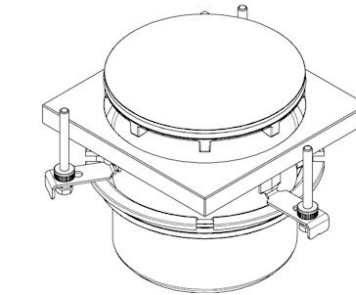
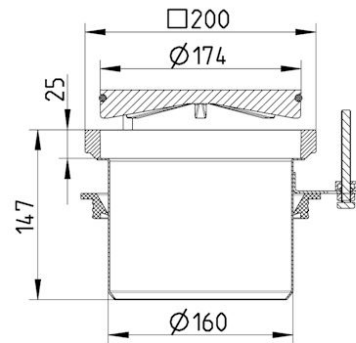
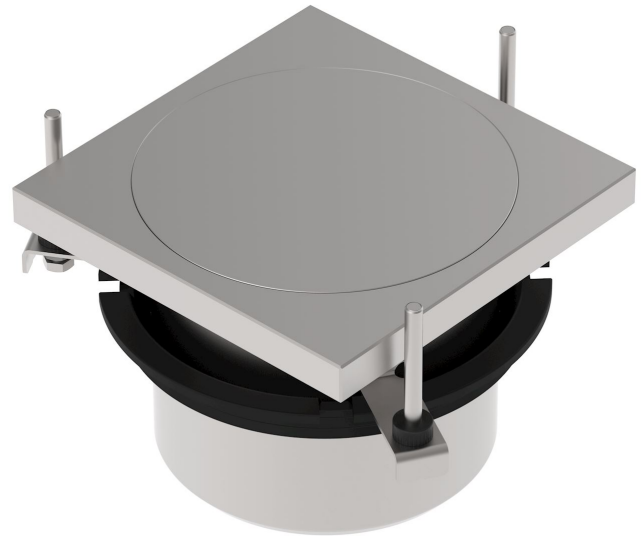
Outlet Diameter (mm): 160

Series: Upper part-Gastight

Shape: Square

Type: Upper parts

Weight (kg): 6,18



**BLÜCHER®**

A WATTS Brand