

## 774.422.000 UPPER PART, LOW

- Floor: concrete and tiled
- Frame: 200x200mm
- Stainless steel: AISI304/EN1.4301

### Product Codes

UPC/EAN: 5705499112290

VVS Number:

RSK Number: 7123990

NRF Number: 3396428

LVI Number: 3303834

### Specification

Brand Name: BLÜCHER

Floor: Concrete/tiled

Material: AISI 304

Material (EN): EN 1.4301

Minimum Height (mm): 147

Number of Screw Holes: 0

Outlet Diameter (mm): 160

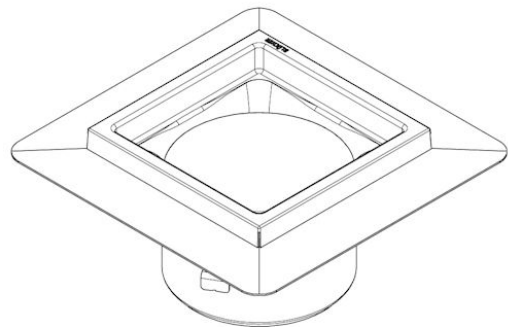
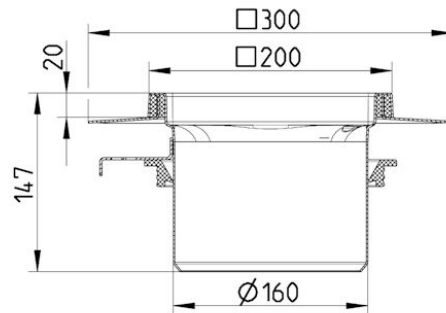
Series: Upper part-Liquid membrane-200

Shape: Square

Size: 200x200

Type: Upper parts

Weight (kg): 4,55



**BLÜCHER®**

A WATTS Brand