

Specification Sheet

774.402.000 UPPER PART

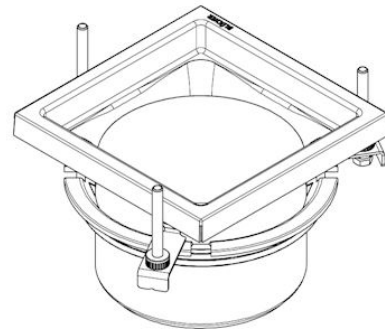
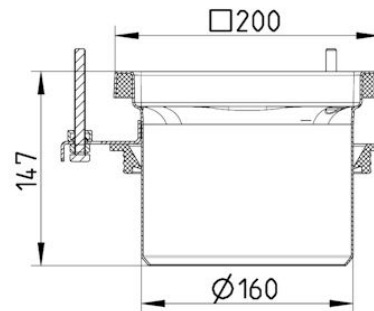
- Floor: concrete and tiled
- Frame: 200x200mm
- Stainless steel: AISI304/EN1.4301

Product Codes

UPC/EAN: 5705499111989
VVS Number:
RSK Number: 7123988
NRF Number: 3396425
LVI Number: 3303821

Specification

Brand Name: BLÜCHER
Floor: Concrete/tiled
Material: AISI 304
Material (EN): EN 1.4301
Minimum Height (mm): 147
Number of Screw Holes: 0
Outlet Diameter (mm): 160
Series: Upper part-No membrane-200
Shape: Square
Size: 200x200
Type: Upper parts
Weight (kg): 1,85



BLÜCHER®

A WATTS Brand