

Specification Sheet

774.401.000 UPPER PART

- Floor: concrete and tiled
- Frame: 250x250mm
- Stainless steel: AISI304/EN1.4301

Product Codes

UPC/EAN: 5705499128802

VVS Number:

RSK Number:

NRF Number:

LVI Number:

Specification

Brand Name: BLÜCHER

Floor: Concrete/tiled

Material: AISI 304

Material (EN): EN 1.4301

Minimum Height (mm): 155

Number of Screw Holes: 0

Outlet Diameter (mm): 160

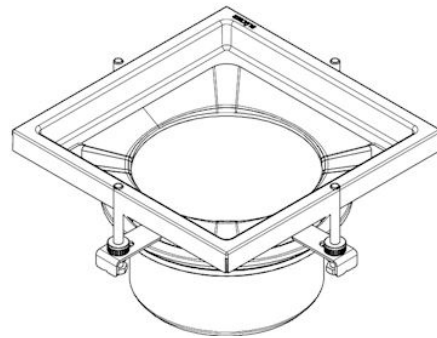
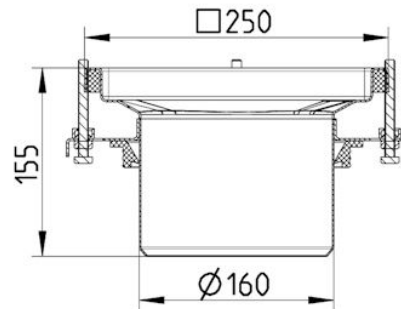
Series: Upper part-No membrane-250

Shape: Square

Size: 250x250

Type: Upper parts

Weight (kg): 2,54



BLÜCHER®

A WATTS Brand