

# Specification Sheet

## 710.503.000 UPPER PART

- With supporting ring for water trap
- Floor: resin
- Frame: Ø305mm
- Stainless steel: AISI304/EN1.4301

### Product Codes

UPC/EAN: 5705499108347

VVS Number:

RSK Number:

NRF Number: 3396099

LVI Number: 3303815

### Specification

Brand Name: BLÜCHER

Floor: Resin

Material: AISI 304

Material (EN): EN 1.4301

Minimum Height (mm): 157

Number of Screw Holes: 0

Outlet Diameter (mm): 160

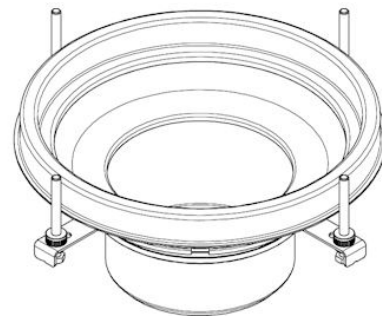
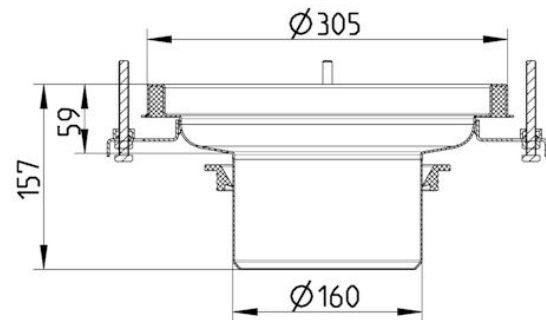
Series: Upper part-No membrane-305

Shape: Round

Size: Ø295

Type: Upper parts

Weight (kg): 3,48



**BLÜCHER®**

A WATTS Brand