

## 710.423.000 UPPER PART

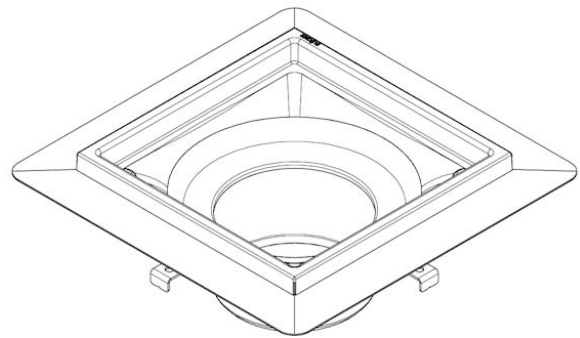
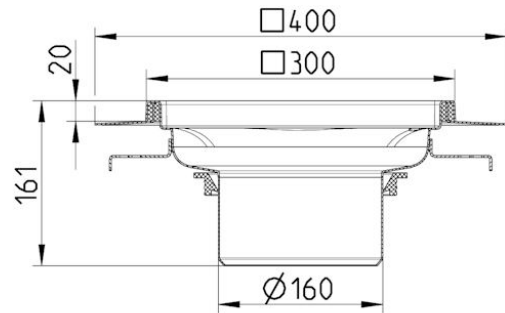
- Floor: concrete and tiled
- Liquid membrane, frame: 300x300mm
- Stainless steel: AISI304/EN1.4301

### Product Codes

UPC/EAN: 5705499138825  
VVS Number: 153018529  
RSK Number: 7123991  
NRF Number: 3396436  
LVI Number:

### Specification

Brand Name: BLÜCHER  
Floor: Concrete/tiled  
Material: AISI 304  
Material (EN): EN 1.4301  
Minimum Height (mm): 161  
Number of Screw Holes: 0  
Outlet Diameter (mm): 160  
Series: Upper part-Liquid membrane-300  
Shape: Square  
Size: 300x300  
Weight (kg): 4,06



**BLÜCHER®**

A WATTS Brand