

## 710.403.000 UPPER PART

- With supporting ring for water trap
- Floor: concrete and tiled
- Frame: 300x300mm
- Stainless steel: AISI304/EN1.4301

### Product Codes

UPC/EAN: 5705499108200

VVS Number:

RSK Number: 7123989

NRF Number: 3396434

LVI Number: 3303809

### Specification

Brand Name: BLÜCHER

Floor: Concrete/tiled

Material: AISI 304

Material (EN): EN 1.4301

Minimum Height (mm): 161

Number of Screw Holes: 0

Outlet Diameter (mm): 160

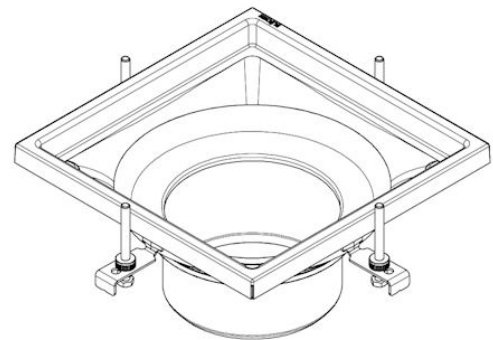
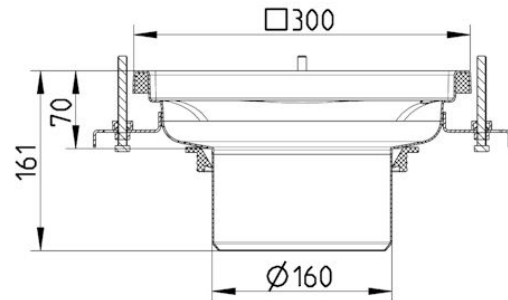
Series: Upper part-No membrane-300

Shape: Square

Size: 300x300

Type: Upper parts

Weight (kg): 3,18



**BLÜCHER®**

A WATTS Brand