

710.403.000.01 UPPER PART

- With screw lock and supporting ring for water trap
- Floor: concrete and tiled
- Frame: 300x300mm
- Stainless steel: AISI304/EN1.4301

Product Codes

UPC/EAN: 5705499108224

VVS Number:

RSK Number:

NRF Number:

LVI Number: 3303811

Specification

Brand Name: BLÜCHER

Floor: Concrete/tiled

Material: AISI 304

Material (EN): EN 1.4301

Minimum Height (mm): 161

Number of Screw Holes: 2

Outlet Diameter (mm): 160

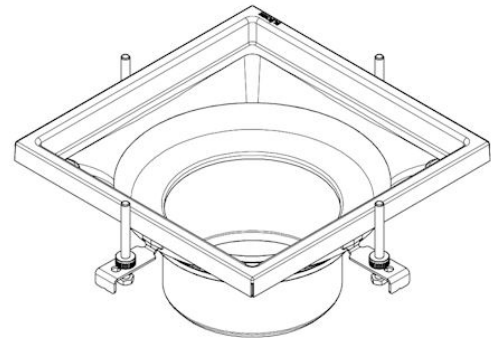
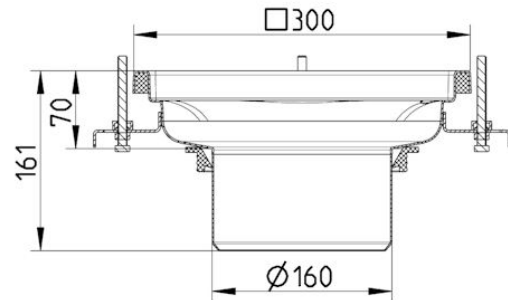
Series: Upper part-No membrane-300

Shape: Square

Size: 300x300

Type: Upper parts

Weight (kg): 3,18



BLÜCHER®

A WATTS Brand