

## 710.402.000 UPPER PART

- With supporting ring for water trap
- Floor: concrete and tiled
- Frame: 200x200mm
- Stainless steel: AISI304/EN1.4301

### Product Codes

UPC/EAN: 5705499108125

VVS Number:

RSK Number:

NRF Number: 3396096

LVI Number: 3303805

### Specification

Brand Name: BLÜCHER

Floor: Concrete/tiled

Material: AISI 304

Material (EN): EN 1.4301

Minimum Height (mm): 100

Number of Screw Holes: 0

Outlet Diameter (mm): 110

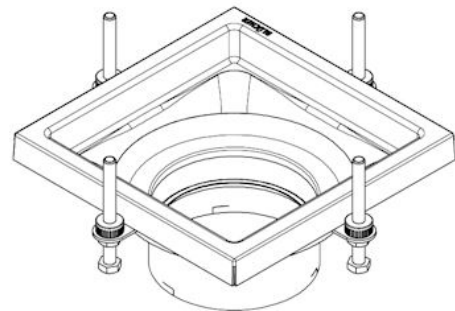
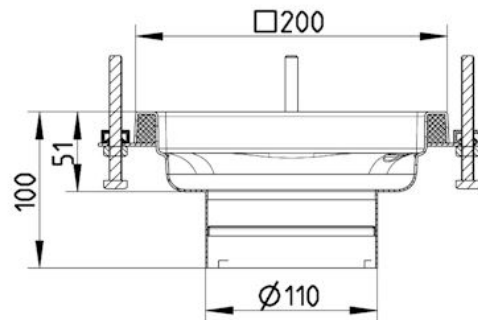
Series: Upper part-No membrane-200

Shape: Square

Size: 200x200

Type: Upper parts

Weight (kg): 1,19



**BLÜCHER®**

A WATTS Brand