

710.402.000.01 S UPPER PART

- With screw lock and supporting ring for water trap
- Floor: concrete and tiled
- Frame: 200x200mm
- Stainless steel: AISI316L/EN1.4404

Product Codes

UPC/EAN: 5705499108156

VVS Number:

RSK Number:

NRF Number:

LVI Number: 3303808

Specification

Brand Name: BLÜCHER

Floor: Concrete/tiled

Material: AISI 316L

Material (EN): EN 1.4404

Minimum Height (mm): 100

Number of Screw Holes: 1

Outlet Diameter (mm): 110

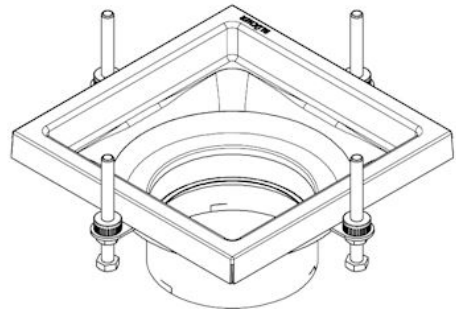
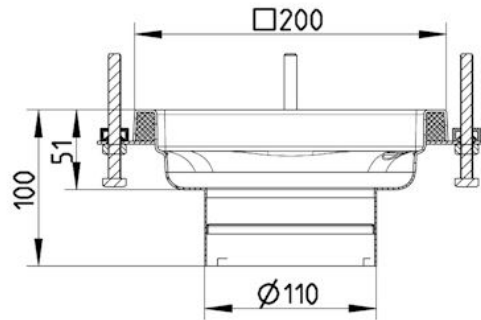
Series: Upper part-No membrane-200

Shape: Square

Size: 200x200

Type: Upper parts

Weight (kg): 1,19



BLÜCHER[®]

A WATTS Brand