

710.401.000 S UPPER PART

- With supporting ring for water trap
- Floor: concrete and tiled
- Frame: 250x250mm
- Stainless steel: AISI316L/EN1.4404

Product Codes

UPC/EAN: 5705499128772

VVS Number:

RSK Number:

NRF Number:

LVI Number:

Specification

Brand Name: BLÜCHER

Floor: Concrete/tiled

Material: AISI 316L

Material (EN): EN 1.4404

Minimum Height (mm): 102

Number of Screw Holes: 0

Outlet Diameter (mm): 110

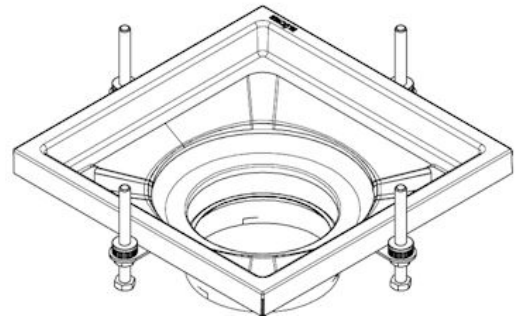
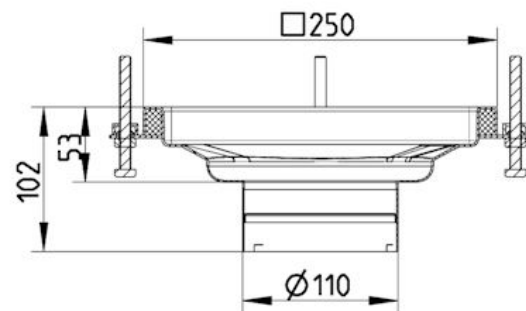
Series: Upper part-No membrane-250

Shape: Square

Size: 250x250

Type: Upper parts

Weight (kg): 1,87



BLÜCHER®

A WATTS Brand