

Specification Sheet

697.250.300.50 HYGIENICPRO GRATING CHANNEL

-Grating: 295x499mm
-Stainless steel: AISI304C/EN1.4308

Product Codes

UPC/EAN: 5705499133103

VVS Number:

RSK Number:

NRF Number: 3397185

LVI Number:

Specification

Brand Name: BLÜCHER

Load Class EN1253 (kg): N250 (20.000)

Material: AISI 304C

Material (EN): EN 1.4308

Minimum Height (mm): 40

Non-slip: R10

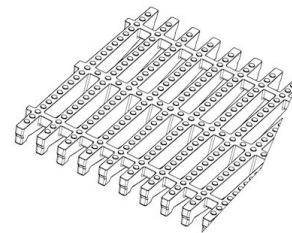
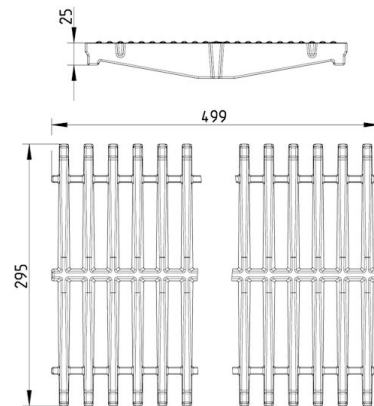
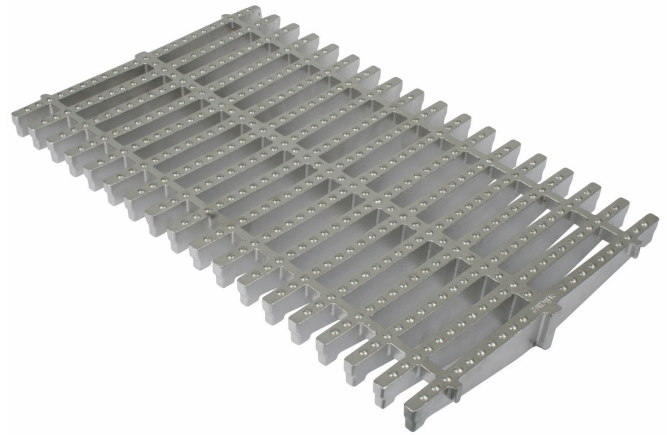
Series: Grating-Channel-300

Shape: Rectangular

Size: 300x500

Type: Gratings

Weight (kg): 14,43



BLÜCHER®

A WATTS Brand