

502.052.110 S REMOVABLE WATER TRAP

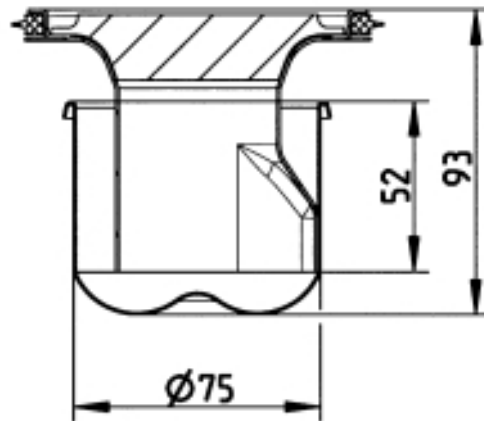
-Water seal height = 52mm
-Stainless steel: AISI316L/EN1.4404

Product Codes

UPC/EAN: 5705499105599
VVS Number: 153415556
RSK Number: 7120188
NRF Number:
LVI Number: 3304901

Specification

Brand Name: BLÜCHER
Material: AISI 316L
Material (EN): EN 1.4404
Max Flow (l/s): 1.3
Minimum Height (mm): 93
Outlet Diameter (mm): 108
Series: Water trap-110
Type: Traps
Water Seal Height (mm): 52
Weight (kg): 0,26



BLÜCHER®

A **WATTS** Brand