

## 502.050.110 S REMOVABLE TWO-PART WATER TRAP

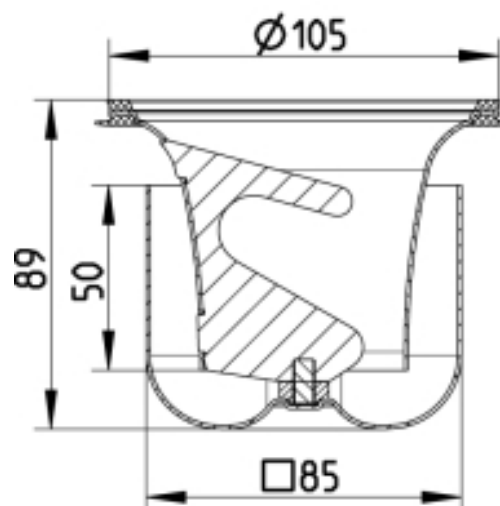
-Water seal height = 50mm  
-Stainless steel: AISI316L/EN1.4404

### Product Codes

UPC/EAN: 5705499124071  
VVS Number: 153416546  
RSK Number:  
NRF Number:  
LVI Number: 3304912

### Specification

Brand Name: BLÜCHER  
Material: AISI 316L  
Material (EN): EN 1.4404  
Max Flow (l/s): 1.7  
Minimum Height (mm): 89  
Outlet Diameter (mm): 108  
Series: Water trap-110  
Type: Traps  
Water Seal Height (mm): 50  
Weight (kg): 0,36



**BLÜCHER®**

A WATTS Brand