

Specification Sheet

326.300.001 FLANGE FOR LIQUID MEMBRAN, LONG

-Stainless steel: AISI304/EN1.4301

Product Codes

UPC/EAN: 5705499107258

VVS Number: 153585820

RSK Number:

NRF Number:

LVI Number:

Specification

Brand Name: BLÜCHER

Material: AISI 304

Material (EN): EN 1.4301

Minimum Height (mm): 200

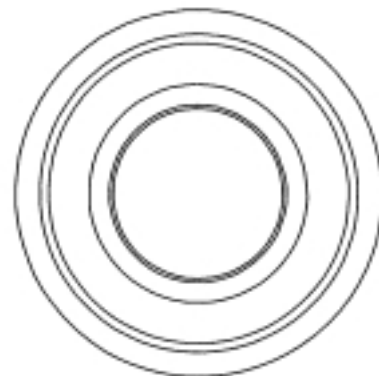
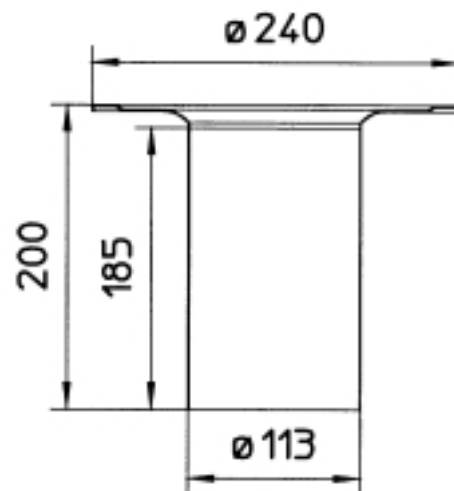
Outlet Diameter (mm): 113

Series: Intermediate section

Shape: Round

Type: Flange

Weight (kg): 1,00



BLÜCHER®

A WATTS Brand