

Specification Sheet

326.300.001 S FLANGE FOR LIQUID MEMBRAN, LONG

-Stainless steel: AISI316L/EN1.4404

Product Codes

UPC/EAN: 5705499107265

VVS Number: 153585850

RSK Number:

NRF Number:

LVI Number:

Specification

Brand Name: BLÜCHER

Material: AISI 316L

Material (EN): EN 1.4404

Minimum Height (mm): 200

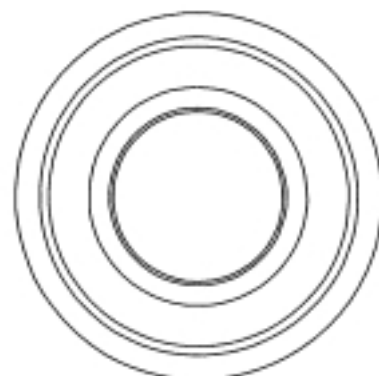
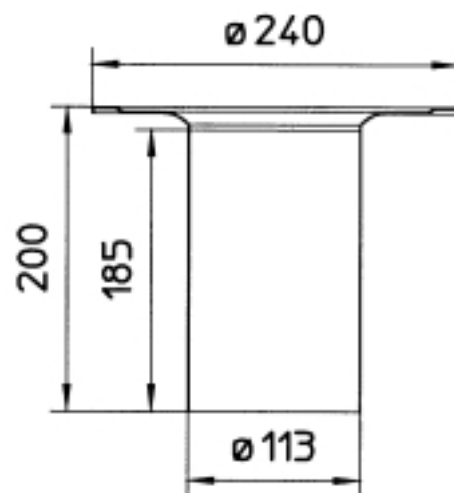
Outlet Diameter (mm): 113

Series: Intermediate section

Shape: Round

Type: Flange

Weight (kg): 1,00



BLÜCHER[®]

A WATTS Brand