

326.300.000 S FLANGE FOR LIQUID MEMBRANE

-Stainless steel: AISI316L/EN1.4404

Product Codes

UPC/EAN: 5705499107180

VVS Number: 153585840

RSK Number:

NRF Number:

LVI Number:

Specification

Brand Name: BLÜCHER

Material: AISI 316L

Material (EN): EN 1.4404

Minimum Height (mm): 45

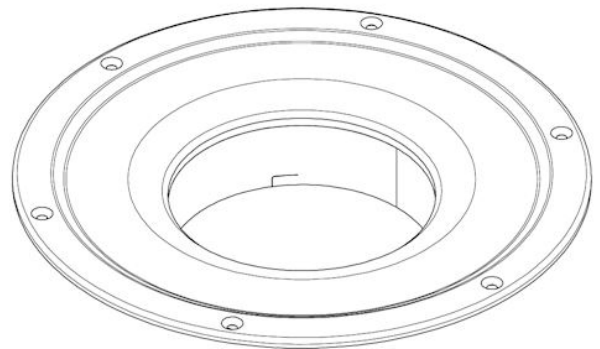
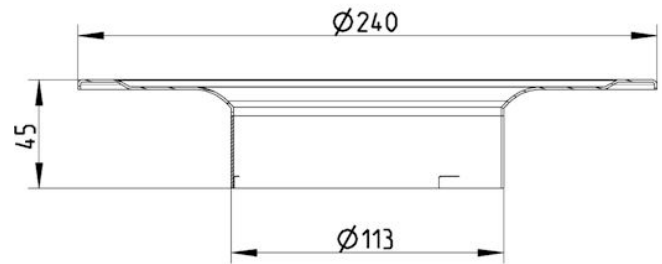
Outlet Diameter (mm): 113

Series: Intermediate section

Shape: Round

Type: Flange

Weight (kg): 0,40



BLÜCHER[®]

A WATTS Brand