

Specification Sheet

326.003.001 TRIANGULAR FLANGE FOR LIQUID MEMBRAN, LONG

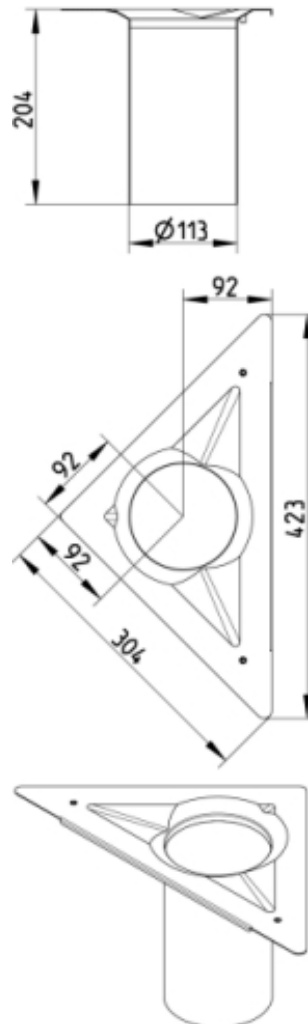
-Flange: triangular
-Stainless steel: AISI304/EN1.4301

Product Codes

UPC/EAN: 5705499121896
VVS Number: 153305820
RSK Number:
NRF Number:
LVI Number:

Specification

Brand Name: BLÜCHER
Material: AISI 304
Material (EN): EN 1.4301
Minimum Height (mm): 204
Outlet Diameter (mm): 113
Series: Intermediate section
Shape: Triangular
Type: Flange
Weight (kg): 0,44



BLÜCHER®

A WATTS Brand