

Specification Sheet

325.300.000 FLANGE FOR SHEET MEMBRANE

-Stainless steel: AISI304/EN1.4301

Product Codes

UPC/EAN: 5705499107159

VVS Number:

RSK Number:

NRF Number:

LVI Number:

Specification

Brand Name: BLÜCHER

Material: AISI 304

Material (EN): EN 1.4301

Minimum Height (mm): 56

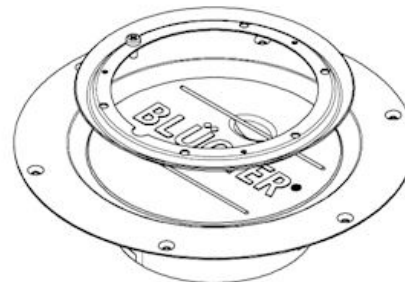
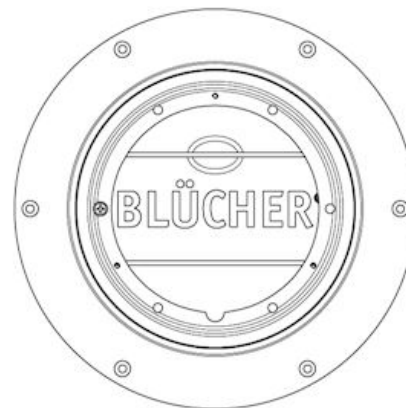
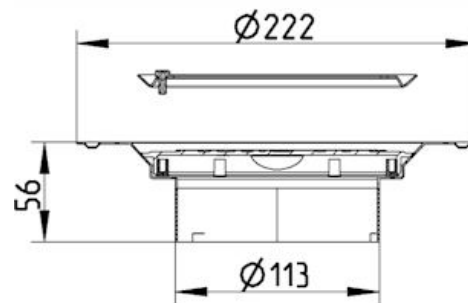
Outlet Diameter (mm): 113

Series: Intermediate section

Shape: Round

Type: Flange

Weight (kg): 0,50



BLÜCHER®

A WATTS Brand